

DRAWING NO.	NO. OF SHTS.	PART NO.	DESCRIPTION	REVISIONS										
		TK50Z-FA	TK50, 120V	AI										
		TK50Z-F3	TK50, 240V	AI										
E-UA-TK50Z-F-DBU	2		TK50Z-F UNIT ASSEMBLY (UA)	A										
K-PL-TK50Z-F-DBP	1		TK50Z-F UNIT ASSEMBLY (PL)	A										
E-UA-TK50Z-F-DBU	1		TK50Z-F UNIT ASSEMBLY (TC)	A										
		MP-02394-01	PRINT SET, TK50Z-F (MP)	REF										

NOTES:

FILE NAME: DD-TK50Z-F-DBUA

REVISION HISTORY	REV.	INITIAL
	ECO NO.	
	DATE	
	A	

THIS DRAWING AND THE SPECIFICATIONS CONTAINED HEREIN ARE CONFIDENTIAL AND PROPRIETARY. THEY ARE THE PROPERTY OF DIGITAL EQUIPMENT CORPORATION AND SHALL NOT BE REPRODUCED OR COPIED OR USED IN WHOLE OR IN PART AS THE BASIS FOR THE MANUFACTURE OR SALE OF ITEMS WITHOUT WRITTEN PERMISSION. THIS IS AN UNPUBLISHED WORK PROTECTED UNDER THE FEDERAL COPYRIGHT LAWS.

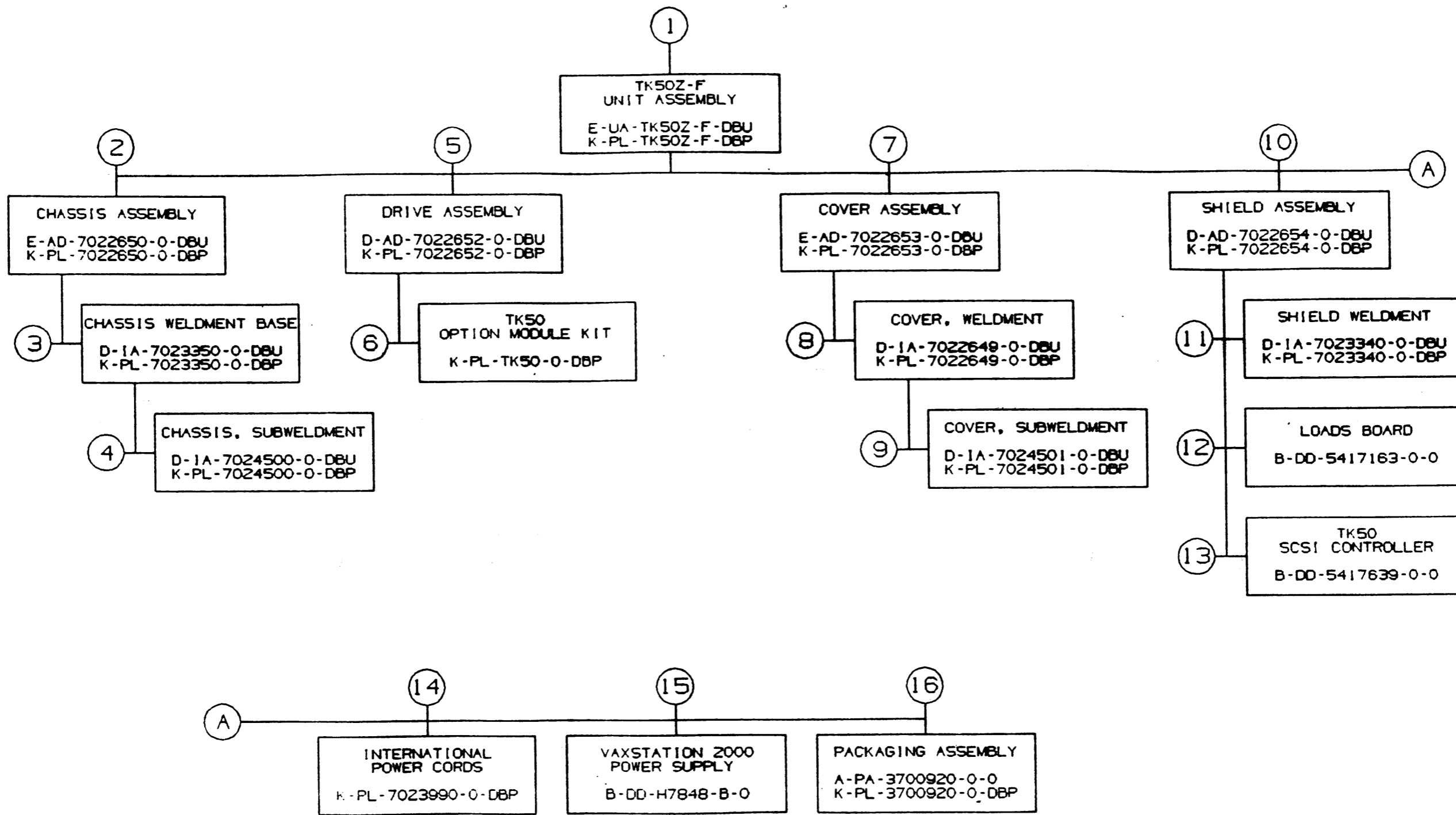


DRN.	PAUL GAGNE	DATE	08-SEP-86
CHRTD	D. HEALY	DATE	23-FEB-87
DES. ENG.	L. KIZINA	DATE	23-FEB-87
RESP. ENG.	G. LORD	DATE	23-FEB-87
PRG. ENG.	F. OSOWSKI	DATE	23-FEB-87

TITLE: TK50Z-F UNIT ASSEMBLY

SIZE CODE: B DD NUMBER: TK50Z-F-DBU REV. A

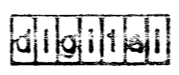
SHEET 1 OF 4



TITLE:	TK50Z-F UNIT ASSEMBLY	SHEET 2 OF 4	SIZE CODE B DD	NUMBER TK50Z-F-DBU	REV. A
--------	--------------------------	--------------	--------------------------	-----------------------	-----------

FIND NO.	DRAWING NO.	DESCRIPTION	TYPE	FIND NO.	DRAWING NO.	DESCRIPTION	TYPE
1	MP-02394-01	TK50Z-F UNIT ASSEMBLY (MP)	-				
	B-TC-TK50Z-F-DBU	TK50Z-F UNIT ASSEMBLY (TC)	-				
	E-UA-TK50Z-F-DBU	TK50Z-F UNIT ASSEMBLY (UA)	E/M				
	K-PL-TK50Z-F-DBP	TK50Z-F UNIT ASSEMBLY (PL)	E/M				
	D-MD-7432769-0-DBU	COVER, BOTTOM	M	5	D-AD-7022652-0-DBU	DRIVE ASSEMBLY	E/M
	C-MD-7433070-0-DBU	PANEL, COVER	M		K-PL-7022652-0-DBP	DRIVE ASSEMBLY (PL)	E/M
	D-MD-7433609-0-DBU	MEDALLION, VAXSTATION 2000	M		D-MD-7432764-0-DBU	BRACKET, INNER	M
	A-PS-1700606-0-0	CORD, POWER, TERMINATED, 3 COND.	E/M				
	A-PS-1701351-0-0	CABLE ASSEMBLY, 50 COND, MOLDED, SHIELDED	E/M				
	A-PS-3626124-0-0	LABEL, VAXSTATION 2000 PRODUCT INFO (REF)	M				
				6	K-PL-TK50-A-DBP	TK50 OPTION MODULE KIT	E/M
				7	D-AD-7022653-0-DBU	COVER ASSEMBLY	M
					K-PL-7022653-0-DBP	COVER ASSEMBLY (PL)	M
					D-MD-7432768-0-DBU	DOOR, FRONT	M
					E-MD-7432770-0-DBU	BEZEL, FRONT	M
2	E-AD-7022650-0-DBU	CHASSIS ASSEMBLY	M				
	K-PL-7022650-0-DBP	CHASSIS ASSEMBLY (PL)	M				
	C-MD-7428807-0-DBU	SPRING, SHIELD, CHASSIS	M	8	D-1A-7022649-0-DBU	COVER, WELDMENT	M
	E-MD-7432766-0-DBU	BEZEL, REAR	M		K-PL-7022649-0-DBP	COVER, WELDMENT (PL)	M
	D-MD-7430609-0-DBU	GRIP HANDLE	M		D-MD-7433222-0-DBU	SPRING, COVER	M
	D-MD-7430610-0-DBU	BRACKET, HANDLE	M				
	D-MD-7433733-0-DBU	SCREW, SHOULDER (MODIFIED)	M				
				9	D-1A-7024501-0-DBU	COVER, SUBWELDMENT	M
					K-PL-7024501-0-DBP	COVER, SUBWELDMENT (PL)	M
					C-MD-7432755-0-DBU	BRACKET, SIDE	M
					D-MD-7432756-0-DBU	COVER	M
3	D-1A-7023350-0-DBU	CHASSIS WELDMENT BASE	M				
	K-PL-7023350-0-DBP	CHASSIS WELDMENT BASE (PL)	M				
	D-MD-7433069-0-DBU	STIFFNER, CHASSIS	M				
	D-MD-7433412-0-DBU	CHASSIS, BRACKET	M				
				10	D-AD-7022654-0-DBU	SHIELD ASSEMBLY	E/M
					K-PL-7022654-0-DBP	SHIELD ASSEMBLY (PL)	E/M
4	D-1A-7024500-0-DBU	CHASSIS, SUBWELDMENT	M		D-1A-7433931-0-DBU	PLATE, CONNECTOR, SHIELD	M
	K-PL-7024500-0-DBP	CHASSIS, SUBWELDMENT (PL)	M		K-PL-7433961-0-DBP	PLATE, CONNECTOR, SHIELD (PL)	M
	E-1A-7432757-0-DBU	CHASSIS, BASE	M		A-PS-1701249-0-0	CABLE ASSEMBLY, FLAT, 26 AWG, 50 PIN	E/M
	K-PL-7432757-0-DBP	CHASSIS, BASE (PL)	M		A-PS-1700342-0-0	WIRE HARNESS ASSEMBLY, 4 COND	E/M
	D-MD-7432763-0-DBU	BRACKET, OUTER	M		A-PS-1701397-0-0	WIRE HARNESS, 16 AWG, 4 COND	E/M
	D-1A-7433697-0-DBU	BRACKET, HANDLE	M				
	K-PL-7433697-0-DBP	BRACKET, HANDLE (PL)	M				

TYPE: E ELECTRICAL
M MECHANICAL
E/M ELECTRO/MECHANICAL



TITLE: TK50Z-F UNIT ASSEMBLY
SHEET 3 OF 4
SIZE CODE: BDD
NUMBER: TK50Z-F-DBU
REV.: A

FIND NO.	DRAWING NO.	DESCRIPTION	TYPE	FIND NO.	DRAWING NO.	DESCRIPTION	TYPE
11	D-1A-7023340-0-DBU	SHIELD, WELDMENT	M				
	K-PL-7023340-0-DBP	SHIELD, WELDMENT (PL)	M				
	E-1A-7432758-0-DBU	SHIELD, FRONT	M				
	K-PL-7432758-0-DBP	SHIELD, FRONT (PL)	M				
	D-1A-7433086-0-DBU	SHIELD, REAR	M				
	K-PL-7433086-0-DBP	SHIELD, REAR (PL)	M				
12	B-DD-5417163-0-0	LOADS BOARD	E/M				
13	B-DD-5417639-0-0	TK50 SCSI CONTROLLER	E/M				
14	K-PL-7023990-0-DBP	INTERNATIONAL POWER CORDS (REF)	E/M				
15	B-DD-H7848-B-0	VAXSTATION 2000 POWER SUPPLY	E/M				
16	A-PA-3700920-0-0	PACKAGING ASSEMBLY	E/M				
	K-PL-3700920-0-0	PACKAGING ASSEMBLY (PL)	E/M				

TYPE: E ELECTRICAL
M MECHANICAL
E/M ELECTRO/MECHANICAL

digital

TITLE: TK50Z-F
UNIT ASSEMBLY

SHEET 4 OF 4

SIZE CODE
B DD

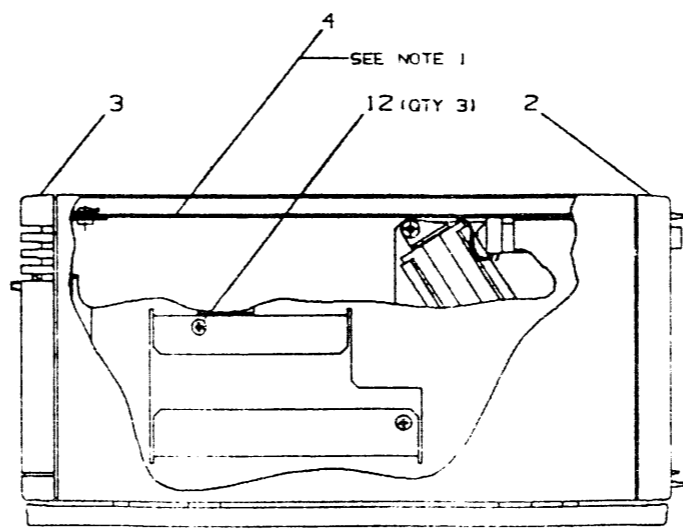
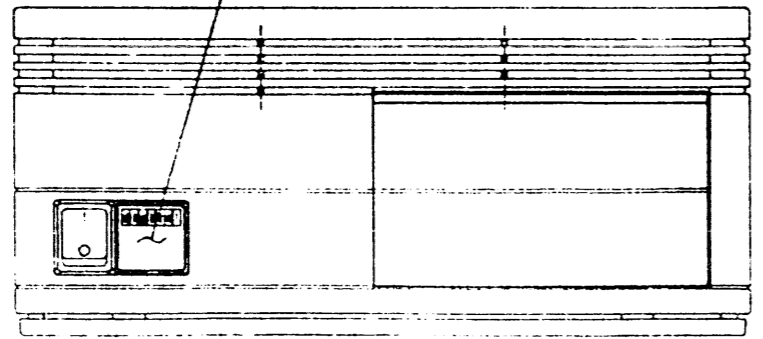
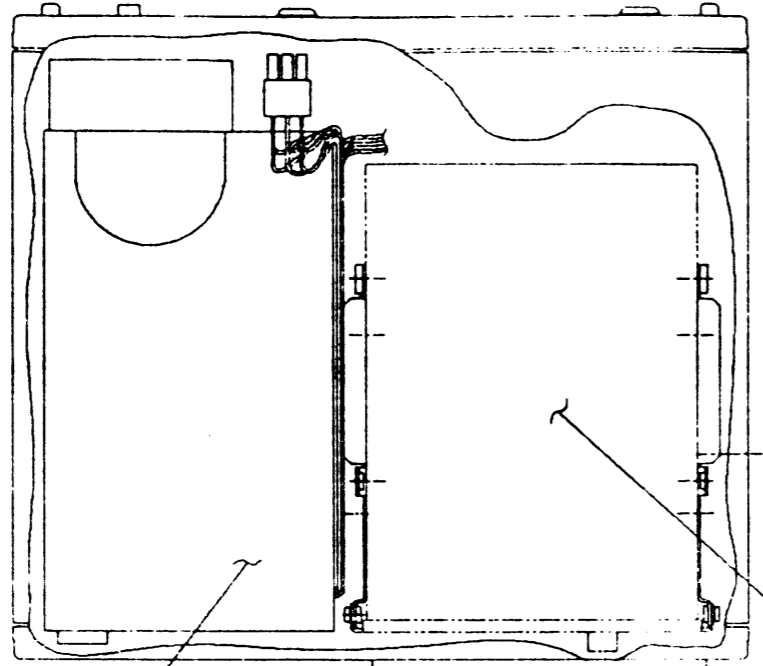
NUMBER
TK50Z-F-DBU

REV.
A

TK50Z-F-DBUA
 1987

LEGEND		
PART NO.	REV	VARIATION
TK50Z-F-A	A1	AS SHOWN, 120V
TK50Z-F-B	A1	AS SHOWN, 240V

NOTES:
 1. SCSI BOARD (5417839), PART OF ITEM 4, IS TO
 BE INSTALLED WITH COMPONENTS FACING DOWN.

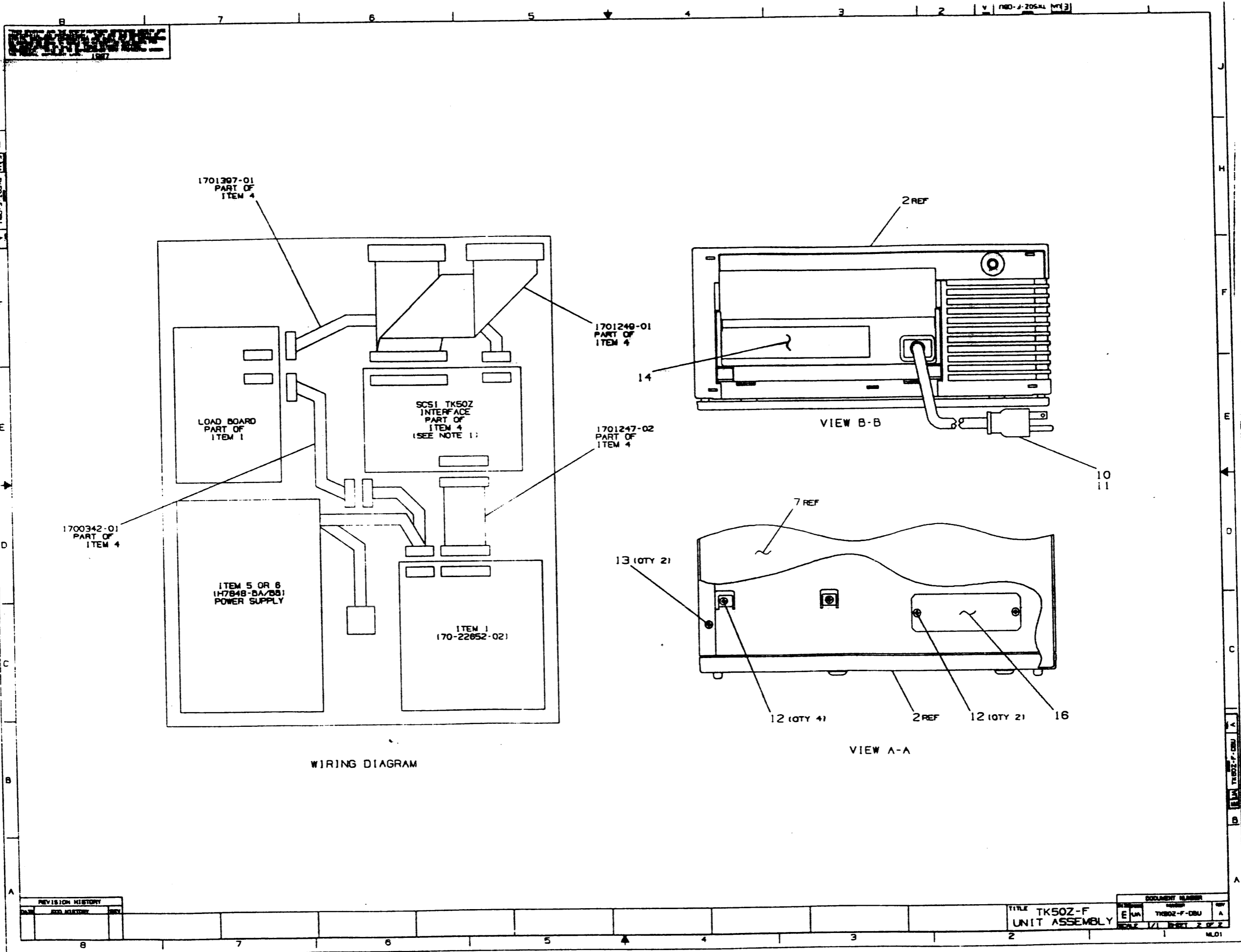


FILE NAME: TK50Z-F-DBUA
 CAUTION: OFF SHEET PARTS LIST EXISTS
 SEE K-PL-TK50Z-F-DBP
 (MLA0758)

DESCRIPTION	DRAWING NO.	PART NO.
TK50Z-F UNIT ASSEMBLY	22-502-00	TK50Z-F-DBUA
SCSI BOARD	5417839	5417839
CONTROL PANEL	22-502-01	22-502-01
...

DO NOT SCALE DRAWING
 REMOVE BURRS AND
 BREAK SHARP CORNERS
 SEE PARTS LIST
 DRAWN BY: H
 CHECKED BY: E UA
 DATE: 11-1-87

INITIAL



REVISION HISTORY		
NO.	DATE	DESCRIPTION

TITLE TK50Z-F
UNIT ASSEMBLY

DOCUMENT NUMBER		
NO.	DATE	DESCRIPTION
E	1/1	REV 2 OF 2

ML01

LINE ITEM	TOP DOCUMENT	PART NUMBER	MIN REV	DESCRIPTION	F3 A1	FA A1	QUANTITY PER VARIATION/REVISION
1	D-AD-7022652-0-DBU	70-22652-02		DRIVE ASSY TK50	1	1	
2	E-AD-7022650-0-DBU	70-22650-02		CHASSIS ASSY	1	1	
3	E-AD-7022653-0-DBU	70-22653-01		COVER ASSY	1	1	
4	D-AD-7022654-0-DBU	70-22654-04		SHIELD ASSY	1	1	
5	B-DD-H7848-B-0	H7848-BA		VS400 PWR SUPPLY,120V 104 WATT,+5.	-	1	
6	B-DD-H7848-B-0	H7848-BB		VS400 PWR SUPPLY,240V 104 WATT,+5.	1	-	
7	D-MD-7432769-0-DBU	74-32769-01		COVER, BOTTOM	1	1	
8	B-DD-7433609-0-DBU	74-33609-02		MEDALLION	1	1	
9	SEE NOTE 1	17-01351-02		CABLE ASSY,50 COND,MOLDED,SHIELDED	1	1	
10	A-PS-1700606-0-0	17-00606-02		PWR CORD,TERM SVT 125V	-	1	
11	K-PL-7023990-0-DBP			INTERNATIONAL POWER CORDS	REF	-	
12		90-00049-47		SCREW,SEMS FAN PHIL 6-32	9	9	
13		90-00049-67		SCREW,SEMS FAN BLK/OX 6.32	2	2	
14	SEE NOTE 2	36-26124-01		LABEL,VAXSTAR PRODUCT INFORMATION	REF	REF	
15	A-PA-3700920-0-0	37-00920-02		PKG SYSTEM BOX VS410 CUSTOMER	1	1	
16	C-MD-7433070-0-DBU	74-33070-01		PANEL,COVER	1	1	

- 1 GEN: 1. ITEM #9 (17-01351-02) IS TO BE SHIPPED LOOSE.
- 2 GEN: 2. ITEM #14 (36-26124), USE APPROPRIATE VARIATION FOR VOLTAGE & ORIGIN.

REVISION HISTORY		KPL MATRIX FORMAT		SECTION A OF A		DRN: PAUL GAGNE		DIGITAL	
ENG	ECO NUMBER	REV	SECTION/VARIATION INDEX		DATE: 27-AUG-86				
	INITIAL	A	[A]	F3,FA	CHK'D: D. HEALY	TITLE PARTS LIST			
			[B]		DATE: 25-FEB-87	TK50Z-F			
			[C]		DES.ENG: L. KIZINA	UNIT ASSEMBLY			
			[D]		DATE: 25-FEB-87	DOCUMENT NUMBER			
			[E]			SIZE	CODE	NUMBER	REV
			[F]		RESP.ENG.: G. LORD	K	PL	TK50Z-F-DBP	A
			[H]		DATE: 25-FEB-87	RELEASE DATE: 25-FEB-87			
			[J]		MFG.ENG: F. OSOWSKI	RELEASE STATUS: RELEASED			
					DATE: 25-FEB-87				
		BASIC PART NUMBER:		ASSEMBLY NUMBER:		TOP DOCUMENT NUMBER:		FILE NAME:	
		TK50Z		E-UA-TK50Z-F-DBU		B-DD-TK50Z-F-DBU		MLA0758A.PLS	
								EDIT #	
								16	

THIS DRAWING AND THE SPECIFICATIONS CONTAINED HEREIN ARE CONFIDENTIAL AND PROPRIETARY. THEY ARE THE PROPERTY OF DIGITAL EQUIPMENT CORPORATION AND SHALL NOT BE REPRODUCED OR COPIED OR USED IN WHOLE OR IN PART AS THE BASIS FOR THE MANUFACTURE OR SALE OF ITEMS WITHOUT WRITTEN PERMISSION. THIS IS AN UNPUBLISHED WORK PROTECTED UNDER THE FEDERAL COPYRIGHT LAWS.

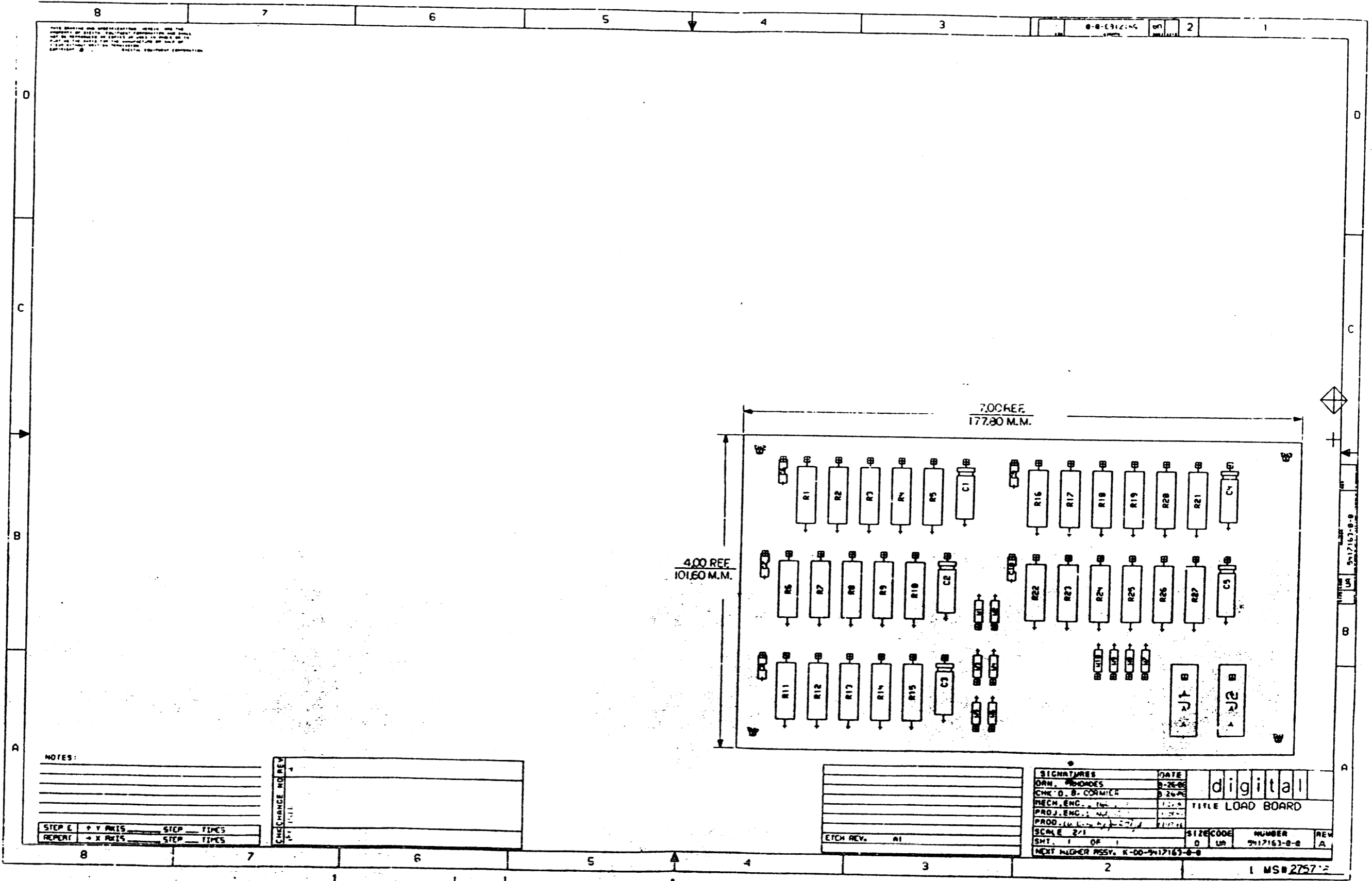
DRAWING NO.	IND. SHTS	PART NO.	DESCRIPTION	REVISIONS
		15417163-01	LOADS BOARD	1A1
		15417163-02	LOADS BOARD	1A1
1D-UA-5417163-0-0	1		UNIT ASSEMBLY	1A
1B-CS-5417163-0-0	1		CIRCUIT SCHEMATICS	1A
1K-PL-5417163-0-00P	1		PARTS LIST	1A
1K-PC-5417163-0-00J			P.C. DATA BASE	1A
1K-CS-5417163-0-00X			SCHEMATIC DATA BASE	1A
		15017162-01	ETCHED CIRCUIT BOARD	1A1
1K-00-5017162-0-0	1		DRAWING DIRECTORY	1A

NOTES:

R
E
V
I
S
I
O
N
S
T
I
T
U
T
E
O
F
A
E
R
O
N
A
U
T
I
C
A
L
S
Y
S
T
E
M
S
I
N
C
O
R
P
O
R
A
T
I
O
N

THIS DRAWING AND THE SPECIFICATIONS CONTAINED HEREIN ARE CONFIDENTIAL AND PROPRIETARY. THEY ARE THE PROPERTY OF DIGITAL EQUIPMENT CORPORATION AND SHALL NOT BE REPRODUCED OR COPIED OR USED IN WHOLE OR IN PART AS THE BASIS FOR THE MANUFACTURE OR SALE OF ITEMS WITHOUT WRITTEN PERMISSION. THIS IS AN UNPUBLISHED WORK PROTECTED UNDER THE FEDERAL COPYRIGHT LAWS.

DRW: JIM CUNNINGHAM	DATE: 10/1/86	DIGITAL	
CHK'D: LENNY HAYWOOD	DATE: 10/1/86	TITLE	LOADS BOARD
DES. ENG.: LARRY MARHI	DATE: 10/1/86	SHEET 1 OF 1	EDIT: 4
RESP. ENG.: LARRY MARHI	DATE: 10/1/86	DOCUMENT NUMBER	
		DDO FILENAME: 5417163A.DDF	
MFG. ENG.: W. BEAN	DATE: 10/1/86	SIZE: CODE	NUMBER
		K 1 D0	5417162-0-0
			REV: A1



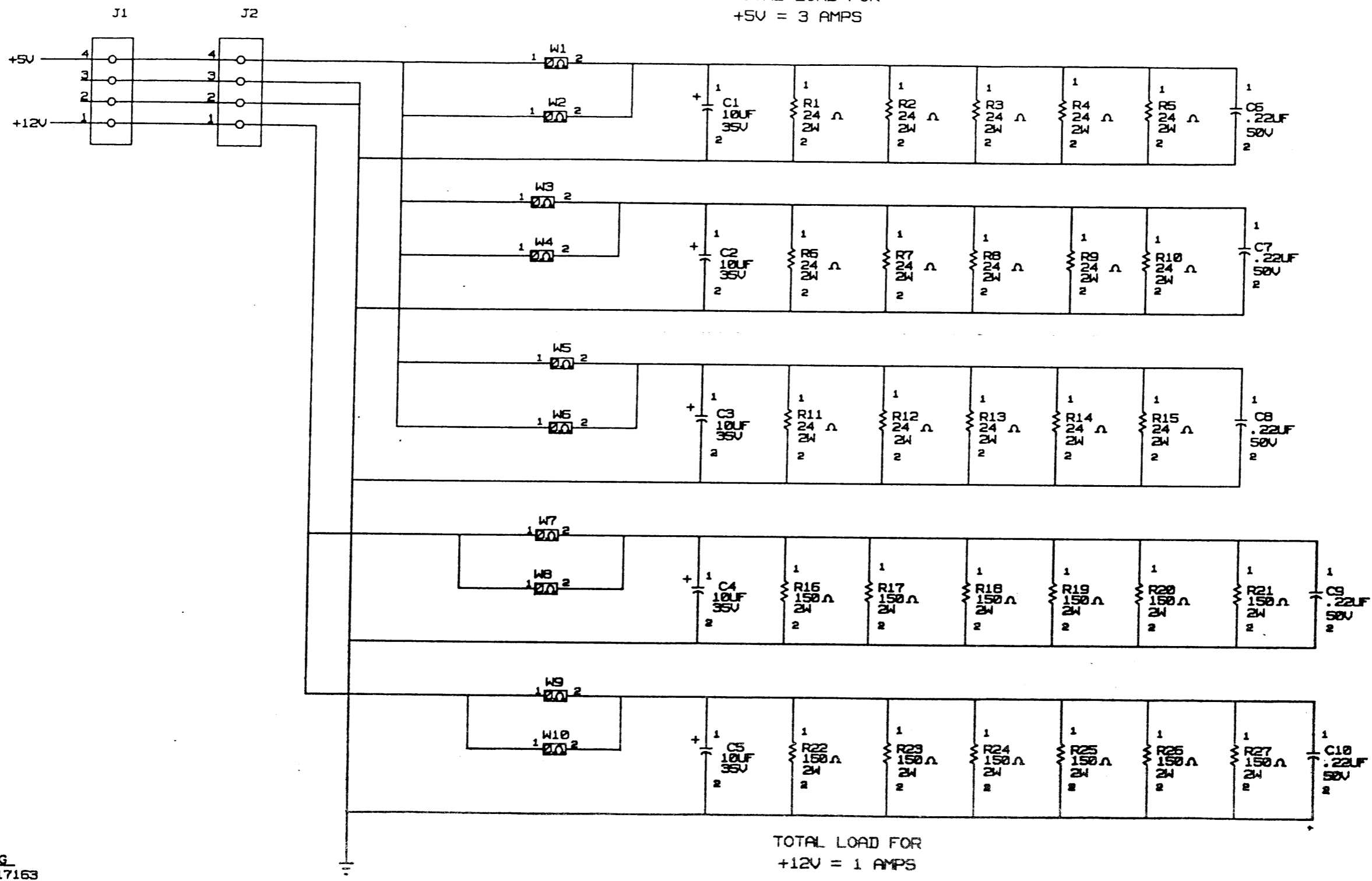
LINE ITEM	TOP DOCUMENT	PART NUMBER	MIN REV	DESCRIPTION	QTY PER VAR/REV		REFERENCE DESIGNATORS
					01 A1	02 A1	
1		N/501716201		CIRCUIT DRILL AND ETCH	1	1	
2		10-14265-00		0.22 MFD 50V +80/-20% Z5U C	5	5	C6-C10
3		10-17472-00		10 MFD 35V +75/-10% ALU	5	5	C1-C5
4		12-11342-04		MATE-N-LOK 04PIN(1X04).200CC HDR	2	2	J1,J2
5		13-19471-16		150.0 2.0 W 5.0 X N.OXIDE	12	12	R16-R27
6		13-20602-28		24.0 2.0 W 5.0 X N.OXIDE	15	15	R1-R15
7		90-09185-00		JUMPER, WIRE, INSULATED, BLACK B	10	-	W1-W10
		CONT			-	4	W7-W10

REVISION HISTORY		KPL MODULE FORMAT		SECTION A OF A		IDRN: L. HAYWOOD		DIGITAL	
ENG	ECO NUMBER	REV	SECTION/VARIATION INDEX		CHK'D:	J. CUNNINGHAM	TITLE	PARTS LIST	
INITIAL		A	[A]	01,02	[M]	DATE: 19-AUG-86	LOADS		
			[B]		[N]	DATE: 19-AUG-86	BOARD		
			[C]		[P]	DES. ENG: LARRY NARHI			
			[D]		[Q]	DATE: 19-AUG-86		DOCUMENT NUMBER	
			[E]		[R]	RESP. ENG.:	SIZE	CODE	NUMBER
			[F]		[S]	DATE:	K	PL	5417163-0-DBP
			[H]		[T]	MFG. ENG:	RELEASE DATE:		
			[J]		[V]	DATE:	RELEASE STATUS: UNDER CHANGE		
			[K]		[W]				
			[L]		[Y]				
			BASIC PART NUMBER:		ASSEMBLY NUMBER:	TOP DOCUMENT NUMBER:	FILE NAME:	EDIT #	
			N/5417163		D-UA-5417163-0-0	B-DD-5417163-0-0	17163.PLS	2	

THIS DRAWING AND THE SPECIFICATIONS CONTAINED HEREIN ARE CONFIDENTIAL AND PROPRIETARY. THEY ARE THE PROPERTY OF DIGITAL EQUIPMENT CORPORATION AND SHALL NOT BE REPRODUCED OR COPIED OR USED IN WHOLE OR IN PART FOR ANY PURPOSE WITHOUT THE WRITTEN PERMISSION OF DIGITAL EQUIPMENT CORPORATION.

NOTE: FOR 5417163-02 VARIATION REMOVE WI THRU W5.

TOTAL LOAD FOR
+5V = 3 AMPS



TOTAL LOAD FOR
+12V = 1 AMPS

DRAWING
TITLE=17163
ABBREV=17163
LAST_MODIFIED= Tue Sep 9 11:36:20 1993

REV	DESCRIPTION	DATE

LOADS BOARD

DATE: 9/9/93

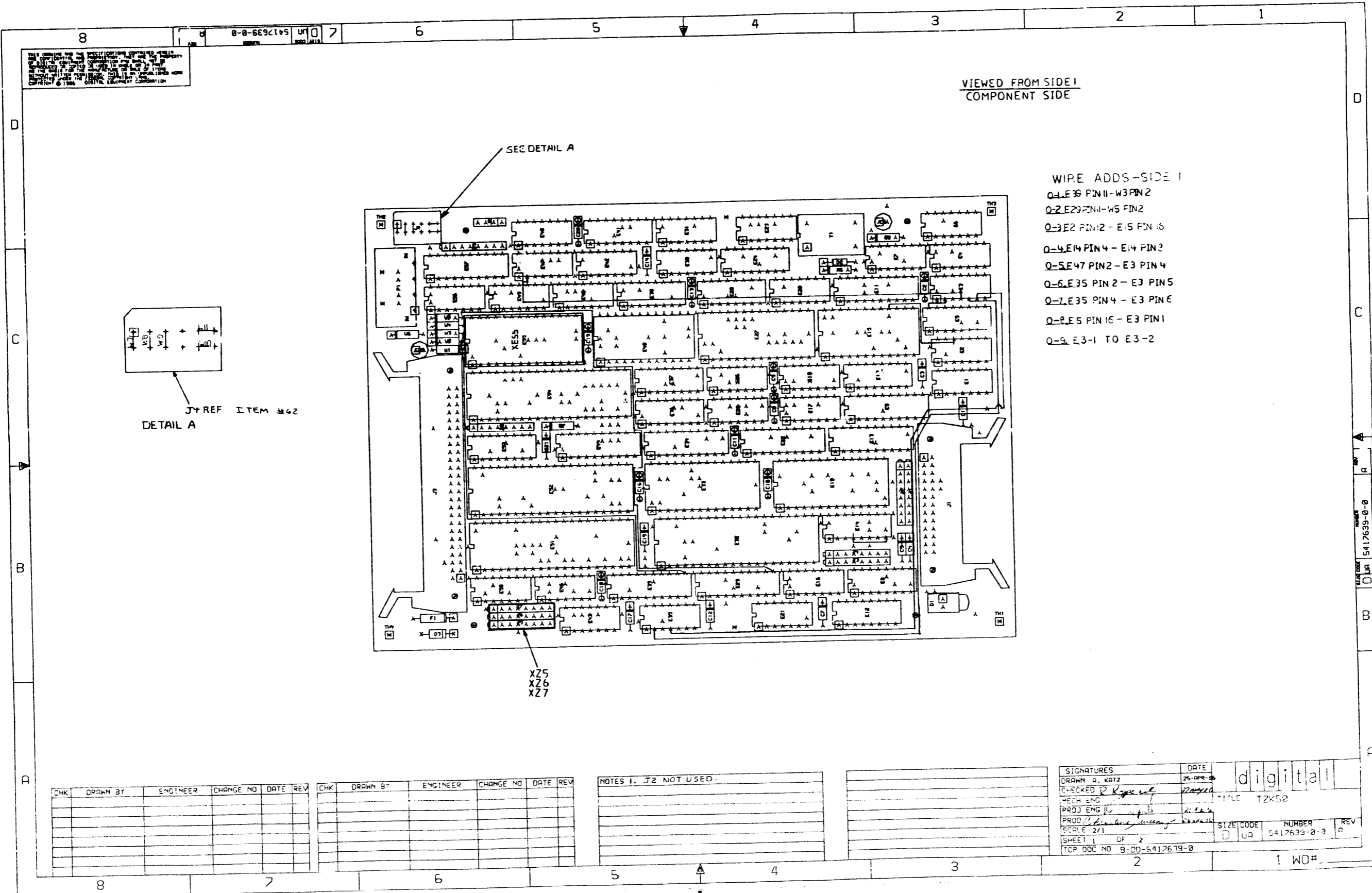
DESIGNED BY: [Signature]

CHECKED BY: [Signature]

APPROVED BY: [Signature]

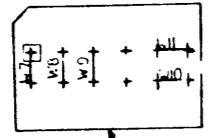
V 5417639-0 DD B
REV NUMBER SIZE CODE

DRAWING NO.	NO OF SHTS.	PART NO.	DESCRIPTION	REVISIONS																			
				REV.	DATE	BY	DESCRIPTION	REV.	DATE	BY	DESCRIPTION	REV.	DATE	BY	DESCRIPTION	REV.	DATE	BY	DESCRIPTION				
		5417639-00	TZK50	A1																			
D-UA-5417639-0-0	2		TZK50	A																			
K-PL-5417639-0-DBP	2		TZK50 PARTS LIST	A																			
K-PC-5417639-0-DBV	-		P.C. DATA BASE	A																			
K-CS-5417639-0-DBS	-		CIRCUIT SCHEMATIC DATA BASE	A																			
B-DD-5017638-0	1		DRAWING DIRECTORY	A																			
NOTES: THIS DRAWING AND THE SPECIFICATIONS CONTAINED HEREIN ARE CONFIDENTIAL AND PROPRIETARY. THEY ARE THE PROPERTY OF DIGITAL EQUIPMENT CORPORATION AND SHALL NOT BE REPRODUCED OR COPIED OR USED IN WHOLE OR IN PART AS THE BASIS FOR THE MANUFACTURE OR SALE OF ITEMS WITHOUT WRITTEN PERMISSION. THIS IS AN UNPUBLISHED WORK PROTECTED UNDER THE FEDERAL COPYRIGHT LAWS. 1986				REV.																			
				ECO NO.																			
				DATE																			
				INIT																			
				10/86																			
				DATE																			
				ECO NO.																			
				DATE																			
				INIT																			
				10/86																			
THIS DRAWING AND THE SPECIFICATIONS CONTAINED HEREIN ARE CONFIDENTIAL AND PROPRIETARY. THEY ARE THE PROPERTY OF DIGITAL EQUIPMENT CORPORATION AND SHALL NOT BE REPRODUCED OR COPIED OR USED IN WHOLE OR IN PART AS THE BASIS FOR THE MANUFACTURE OR SALE OF ITEMS WITHOUT WRITTEN PERMISSION. THIS IS AN UNPUBLISHED WORK PROTECTED UNDER THE FEDERAL COPYRIGHT LAWS. 1986								DRN. V. Mangaudis CHK'D R. Koppental DES. ENG. [Signature] RES. ENG. [Signature] MFG. ENG. [Signature]	DATE 10 JUN 86 DATE 10 JUN 86 DATE 21 Aug 86 DATE 21 Aug 86 DATE 16 Aug 86	TITLE TZK50 DOCUMENT NUMBER NUMBER 5417639-0 REV A SHEET 1 OF 1													



VIEWED FROM SIDE 1
COMPONENT SIDE

- WIRE ADDS - SIDE 1
- Q-1 E39 PIN 11 - W3 PIN 2
 - Q-2 E29 PIN 11 - W5 PIN 2
 - Q-3 E2 PIN 2 - E15 PIN 15
 - Q-4 E14 PIN 4 - E14 PIN 3
 - Q-5 E47 PIN 2 - E3 PIN 4
 - Q-6 E35 PIN 2 - E3 PIN 5
 - Q-7 E35 PIN 4 - E3 PIN 6
 - Q-8 E5 PIN 16 - E3 PIN 1
 - Q-9 E3-1 TO E3-2



J+ REF ITEM #62
DETAIL A

XZ5
XZ6
XZ7

CHK	DRAWN BY	ENGINEER	CHANGE NO	DATE	REV

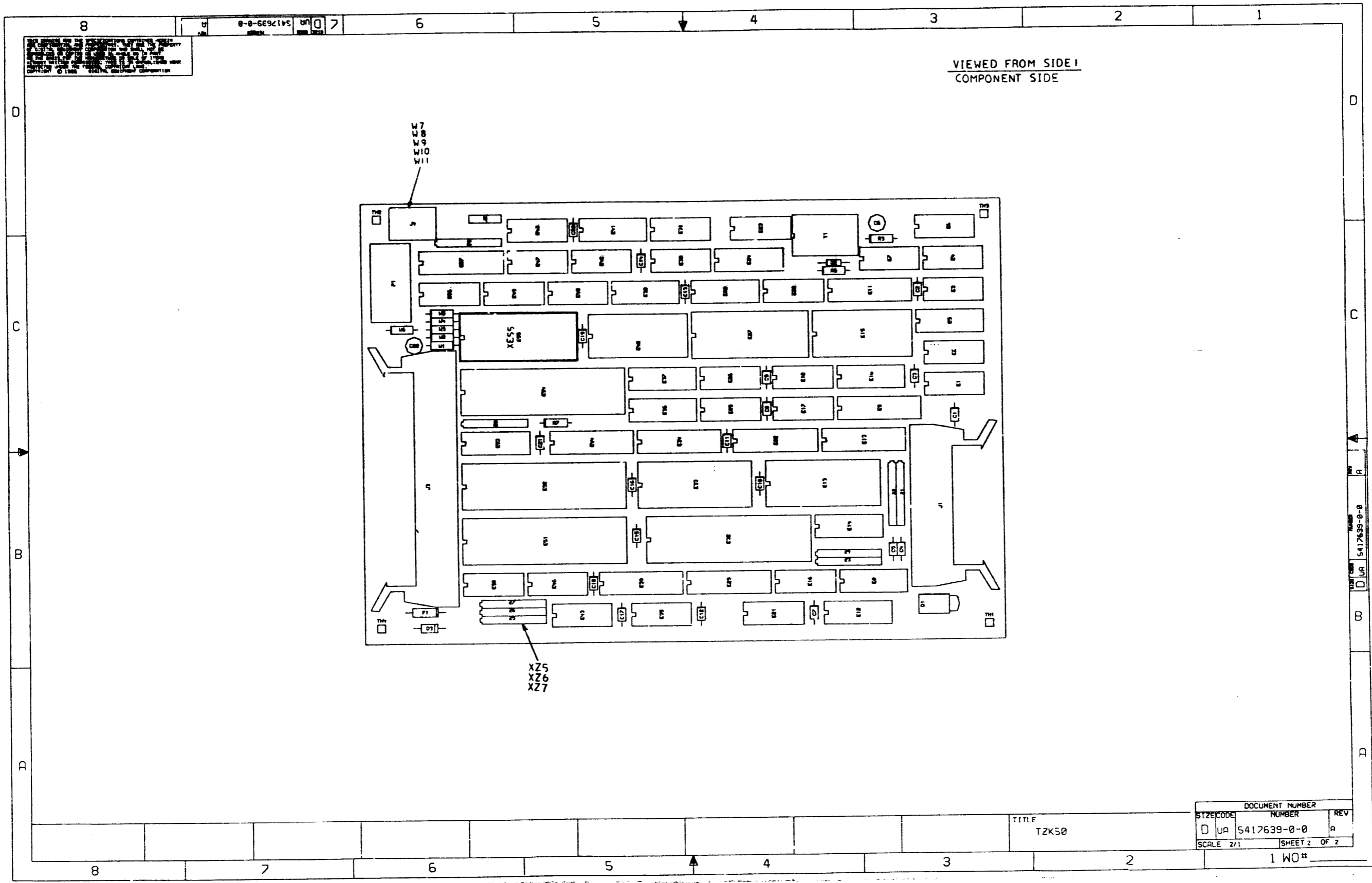
CHK	DRAWN BY	ENGINEER	CHANGE NO	DATE	REV

NOTES 1. J2 NOT USED.

SIGNATURES		DATE	digital
DRAWN A. KATZ		25-08-88	
CHECKED P. Kopp		22-08-88	TITLE TZK52
MECH ENG			
PROJ ENG			
PROD			
SCALE 2/1			
SHEET 1 OF 2			
TOP DOC NO 9-00-5417639-0			

5417639-0-0

1 WO#



VIEWED FROM SIDE I
COMPONENT SIDE

W7
W8
W9
W10
W11

XZ5
XZ6
XZ7

TITLE
TZK50

DOCUMENT NUMBER		
SIZE CODE	NUMBER	REV
D	UA	5417639-0-0
SCALE 2/1		SHEET 2 OF 2

1 WO#

LINE	ITEM	TOP DOCUMENT	PART NUMBER	MIN REV	DESCRIPTION	QTY PER VAR/REV	REFERENCE DESIGNATORS
						01 A1	
1	1	B-DD-5017638-0	50-17638-01		CIRCUIT DRILL & ETCH	1	
2	2		10-13466-43		0.010MFD 50V +/- 5% X7R C	20	C1-C5,C7-C21
3	3		10-23486-03		22 MFD 16V +/-20% ALU	2	C6,C22
4	4		11-05796-00		PIV= 400 IO= 1.00A 1N4004 D0-41	1	D3
5	5		11-09517-00		PIV= 75 IO=150 MA - 4NS 1N914B	1	D2
6	6		11-17373-01		LED ASSY RED	1	D1
7	7		12-10929-02		FUSE PICO 1.0 A 125V AXIAL LEA	1	F1
8	8		12-16832-01		PCB,HEADER 26POS(2X13).100CC 90D	1	J1
9	9		12-16832-03		PCB,HEADER 50POS(2X25).100CC 90D	1	J3
10	10	SEE NOTE # 10	12-10385-01		PCB HEADER PIN	10	
11	11		12-18826-01		*** THIS ITEM IS NOT USED ***	-	
12	12		12-18855-00		PCB,HEADER 04POS(1X04).200CC 90D	1	P1
13	13		13-00202-00		47.0 .25 W 5.0 % CF	1	R7
14	14		13-00229-00		100.0 .25 W 5.0 % CF	1	R6
15	15		13-02395-00		56.0 K .25 W 5.0 % CF	1	R3
16	16		13-16254-01		R. NET 4.7K- 7 2.0	2	Z8,Z9
17	17		13-22716-01		R. NET 120.0 - 7 2.0	1	Z3
18	18		13-25000-01		R. NET 220.0 - 7 2.0	3	Z1,Z2,Z4
19	19		18-11660-21		OSCILLATOR, XTAL 24.000 MHZ	1	Y1
20	20		19-12697-00		LS174 FF-D HEX W/CLEAR	1	E38
21	21		19-12799-00		LS00 NAND-GATE-QUAD 2IN,P	2	E35,E48
22	22		19-12801-00		LS02 NOR-GATE-QUAD 2IN	1	E47
23	23		19-12803-00		LS04 INVERTER GATE,HEX	2	E2,E20
24	24		19-12805-00		LS08 AND GATE-QUAD 2IN,PO	2	E50,E56
25	25		19-12807-00		LS10 NAND GATE-TRIPLE 3IN	1	E46
26	26		19-12811-00		LS21 AND GATE-DUAL 4IN,PO	1	E3
27	27		19-12816-00		LS32 OR GATE-QUAD 2IN,POS	4	E18,E21,E26,E49
28	28		19-12824-00		LS74 FF-D DUAL,EDGE TRIGG	3	E23,E42,E43
29	29		19-12829-00		LS86 X-OR GATE-QUAD 2IN	2	E17,E25
30	30		19-12838-00		LS132 NAND GATE-QUAD 2IN P	1	E7
31	31		19-12842-00		LS138 DECODER-THREE INPUT,	1	E24
32	32		19-12844-00		LS151 MUX 1 OF 8 & DATA	1	E41

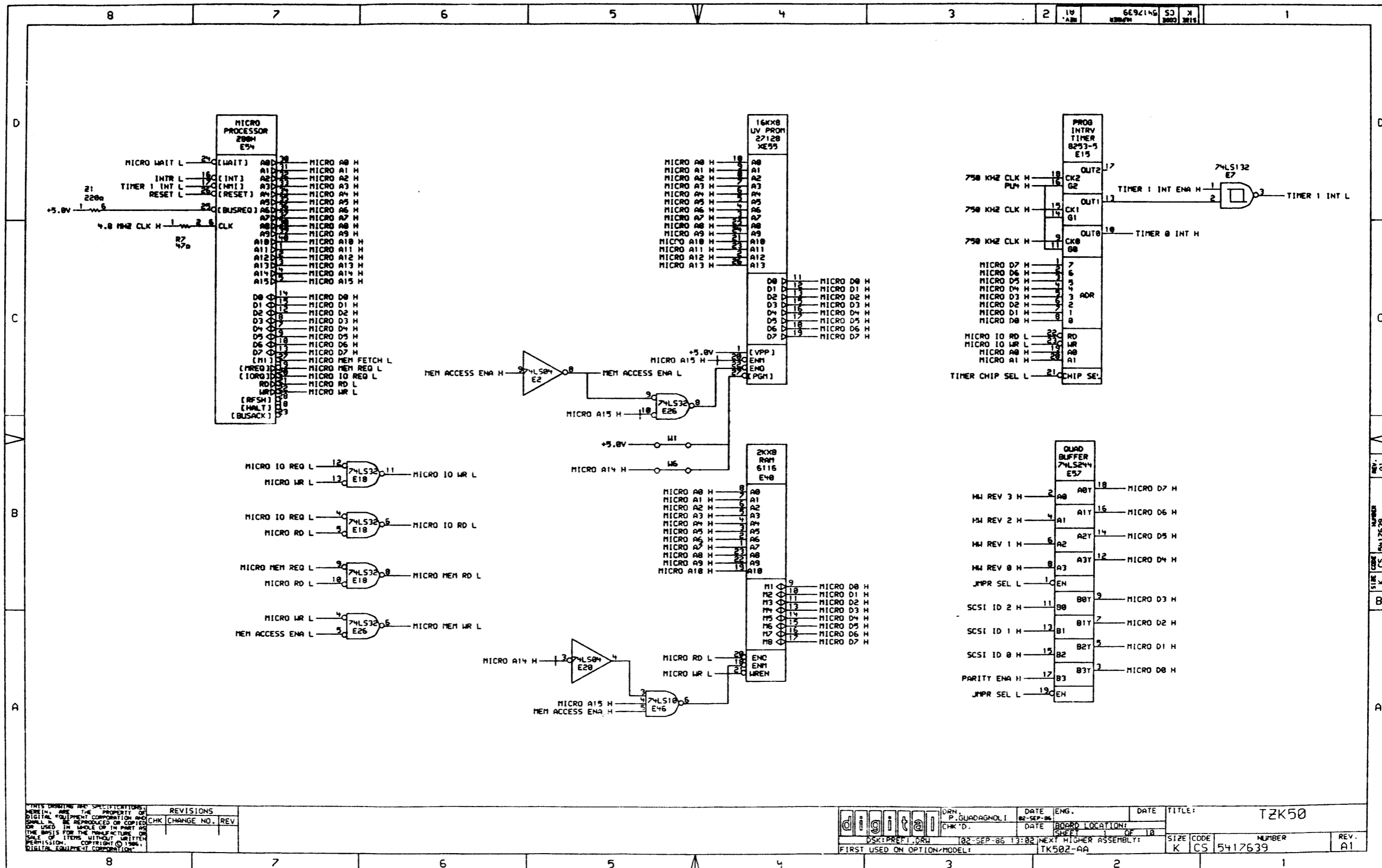
REVISION HISTORY		KPL MODULE FORMAT		SECTION A OF A		DRN: R.KOPPENAL		DIGITAL			
ENG	ECO NUMBER	REV	SECTION/VARIATION INDEX	DATE	DATE	TITLE	DOCUMENT NUMBER	SIZE	CODE	NUMBER	REV
---	INITIAL	A	[A] 01	[M]	05-AUG-86	CHK'D: R. KOPPENAL					
			[B]	[N]	07-MAY-86	DATE: 07-MAY-86	TZK50				
			[C]	[P]		DES.ENG: M. SHEFFIELD	//////////				
			[D]	[Q]		DATE: 07-MAY-86					
			[E]	[R]		RESP.ENG.: M. SHEFFIELD					
			[F]	[S]		DATE: 07-MAY-86					
			[H]	[T]		MFG.ENG: GREG KIAH					
			[J]	[V]		DATE: 05-AUG-86					
			[K]	[W]							
			[L]	[Y]							
		BASIC PART NUMBER:		ASSEMBLY NUMBER:		TOP DOCUMENT NUMBER:		FILE NAME:		EDIT #	
		5417639		D-UA-5417639-0-0		B-DD-5417639-0-0		SH292A.PLS		38	

"THIS DRAWING AND THE SPECIFICATIONS CONTAINED HEREIN ARE CONFIDENTIAL AND PROPRIETARY. THEY ARE THE PROPERTY OF DIGITAL EQUIPMENT CORPORATION AND SHALL NOT BE REPRODUCED OR COPIED OR USED IN WHOLE OR IN PART AS THE BASIS FOR THE MANUFACTURE OR SALE OF ITEMS WITHOUT WRITTEN PERMISSION. THIS IS AN UNPUBLISHED WORK PROTECTED UNDER THE FEDERAL COPYRIGHT LAWS."

LINE	ITEM	TOP DOCUMENT	PART NUMBER	MIN REV	DESCRIPTION	QTY PER VAR/REV	REFERENCE DESIGNATORS
						01 A1	
33	33		19-12847-00		LS157 MUX 1 OF 2(QUAD)	1	E12
34	34		19-12849-00		LS161 COUNTER, SYNCHR, 4BIT	1	E5
35	35		19-12850-00		LS164 SHIFT REG. 8BIT SERI	3	E1, E6, E16
36	36		19-12863-00		LS273 FF-D OCTAL W/CLEAR	4	E22, E29, E34, E39
37	37		19-12864-00		LS279 LATCH, QUAD-S-R	1	E10
38	38		19-13471-00		LS367 DRIVER, BUS, HEX, TRI-S	3	E36, E37, E53
39	39		19-14451-00		LS393 COUNTER, BINARY, 4BIT	2	E30, E31
40	40		19-15123-00		26LS32 RECEIVER, QUAD, EIA RS	1	E8
41	41		19-15193-00		LS244 DRIVER, LINE, OCTAL, TR	2	E9, E57
42	42		19-15218-00		LS245 TRANSCEIVER, BUS, OCTA	1	E44
43	43		19-15219-00		LS373 FF-D OCTAL-TRANSPARE	1	E13
44	44		19-15851-00		26LS31 DRIVER, QUAD, EIA RS 4	1	E14
45	45		19-15932-00		LS125 BUFFER, QUAD BUS	1	E4
46	46		19-16079-00		8253-5TIMER, PROGRAMMABLE I	1	E15
47	47		21-17872-01		RAM 2KX8 I/O MUXD 20	1	E40
48	48		21-26956-01		8274 MULTI PROTOCOL SER CO	1	E52
49	49		21-19143-01		Z80H MICROPROCESSOR 40PIN	1	E54
50	50		21-20070-01		CONTROLLER, DMA, HI PE	1	E32
51	51		21-21384-02		RAM 8KX8, STATIC 150	2	E19, E33
52	52		21-23756-01		CONTROLLER, PROGRAMMA	1	E27
53	53		21-24640-01		74HCT04 HEX INVERTER	1	E45
54	54		21-25351-01		INTERFACE CHIP (SCSI	1	E51
55	55		23-A2 -05		256X 4 , TTL, PROM, TRI STA,	1	E28
56	56		23-E5 -02		16KX 8 UV EPROM	1	E55
57	57		23-K5 -03		PAL, OCTAL REGISTERED AND-OR	1	E11
58	58		90-09185-00		JUMPER, WIRE, INSULATED, BLACK B	6	W1-W6
59	59		13-26547-01		R NETWORK 8-220 8-330	3	Z5-Z7
60	60		12-17535-13		SKT, IC 08PIN SIP TIN SOLD	3	XZ5-XZ7
61	61		12-15006-07		SKT, IC 28PIN DIP TIN SOLD	1	XE55
62	62		12-18783-00		JUMPER 02POS(1X02).100CC	5	W7-W11

10 NOTE: USED FOR J4

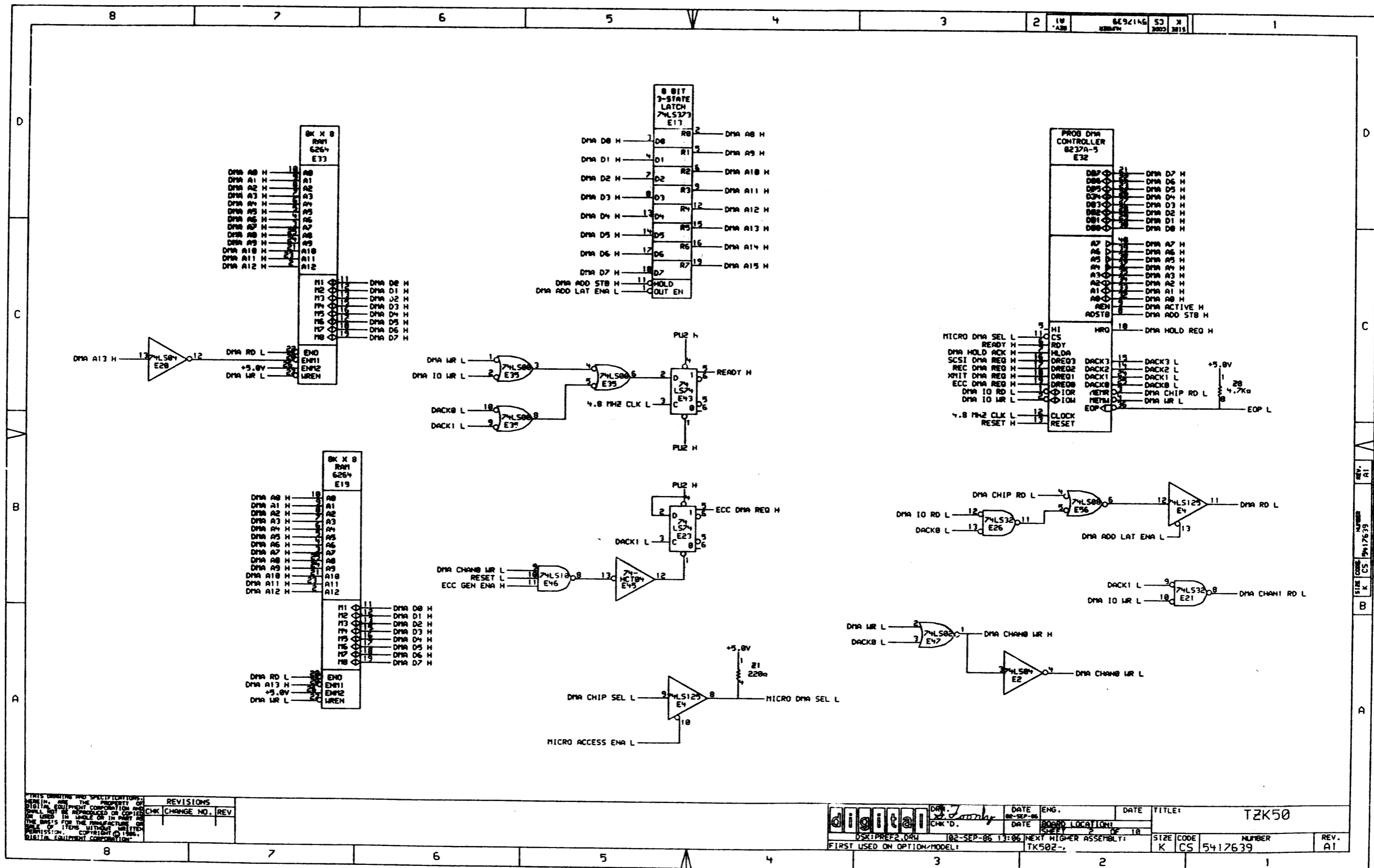
D	I	G	I	T	A	L	TITLE	SECTION A OF A	SIZE	CODE	DOCUMENT NUMBER	REV
							TZK50 //////////		K	PL	5417639-0-DBP	A



THIS DRAWING AND SPECIFICATIONS HEREIN ARE THE PROPERTY OF DIGITAL EQUIPMENT CORPORATION AND SHALL NOT BE REPRODUCED OR COPIED OR USED IN WHOLE OR IN PART AS THE BASIS FOR THE MANUFACTURE OR SALE OF ITEMS WITHOUT WRITTEN PERMISSION. COPYRIGHT © 1984, DIGITAL EQUIPMENT CORPORATION.

REVISIONS		
CHK	CHANGE NO.	REV

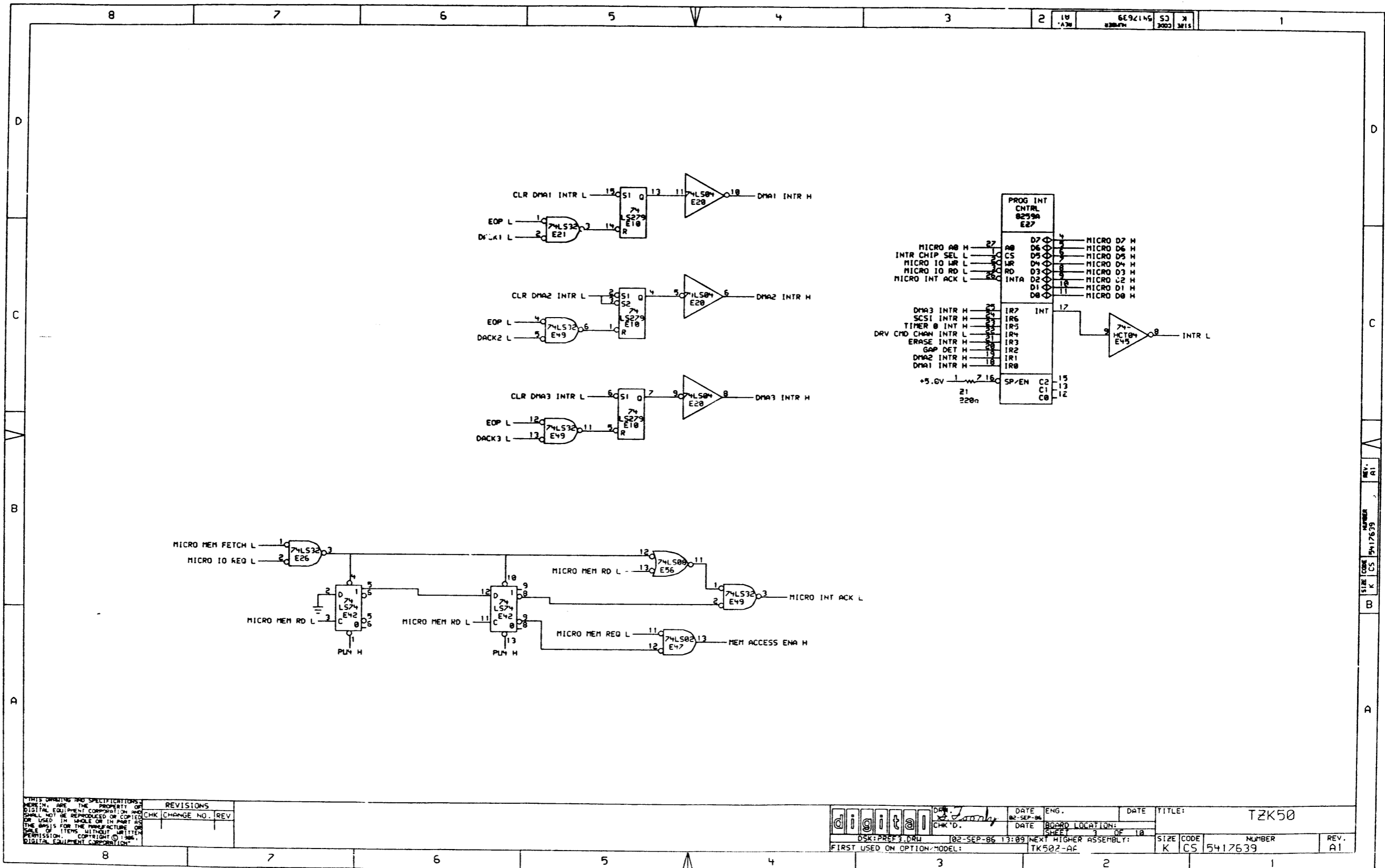
digital	DRN. P. GUADAGNOLI	DATE 02-SEP-86	ENG.	DATE	TITLE: TK50
	CHK'D.	DATE	BOBRO LOCATION:	SHEET OF 10	
DSK:PREFT.DRW 102-SEP-86 13:02			NEXT HIGHER ASSEMBLY: TK502-AA		SIZE CODE K CS
FIRST USED ON OPTION/MODEL:				NUMBER 5417639	REV. A1



THIS DRAWING AND SPECIFICATIONS ARE THE PROPERTY OF DIGITAL EQUIPMENT CORPORATION AND SHALL NOT BE REPRODUCED OR COPIED OR USED IN WHOLE OR IN PART AS THE BASIS FOR THE MANUFACTURE OR SALE OF ITEMS WITHOUT WRITTEN PERMISSION. COPYRIGHT © 1985, DIGITAL EQUIPMENT CORPORATION.

REVISIONS	
CHK	CHANGE NO. REV

	DATE	ENG.	DATE	TITLE:	TZK50
	02-SEP-85	J. J. J.	02-SEP-85		
DSK1:PREP2.DRW FIRST USED ON OPTION/MODEL:	DATE 02-SEP-85 13:06	DATE 02-SEP-85 13:06	DATE 02-SEP-85 13:06	NEXT HIGHER ASSEMBLY: TK50Z-	SIZE CODE K CS 5417639
					NUMBER 5417639
					REV. A1

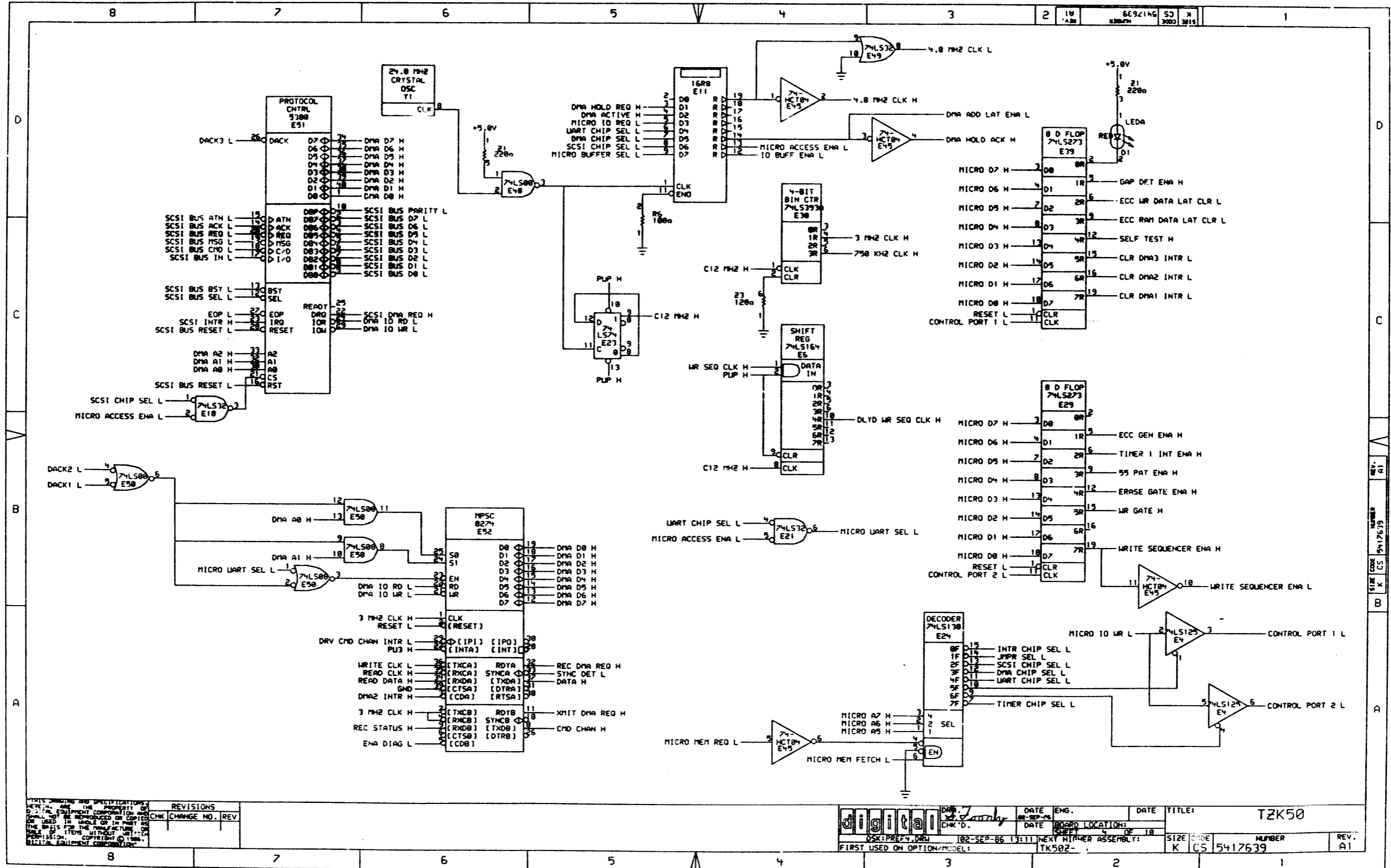


THIS DRAWING AND SPECIFICATIONS HEREOF ARE THE PROPERTY OF DIGITAL EQUIPMENT CORPORATION AND SHALL NOT BE REPRODUCED OR COPIED OR USED IN WHOLE OR IN PART AS THE BASIS FOR THE MANUFACTURE OR SALE OF ITEMS WITHOUT WRITTEN PERMISSION. COPYRIGHT © 1984, DIGITAL EQUIPMENT CORPORATION.

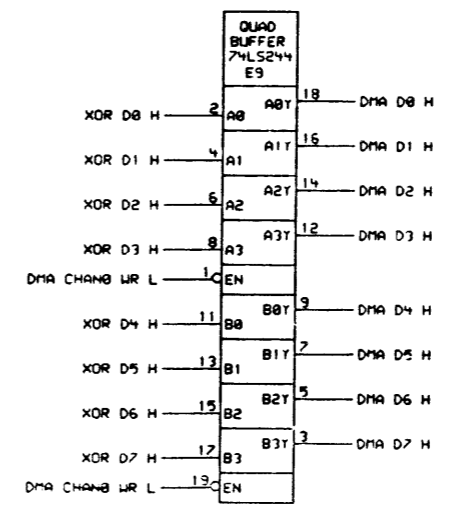
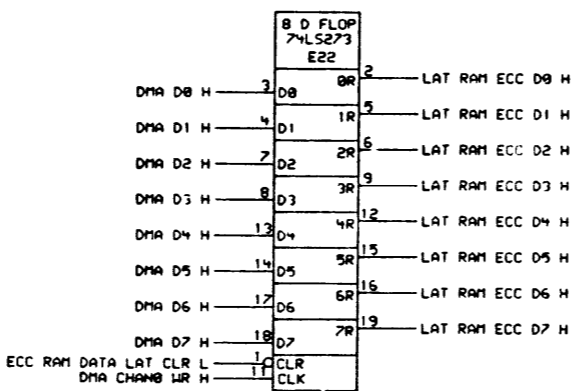
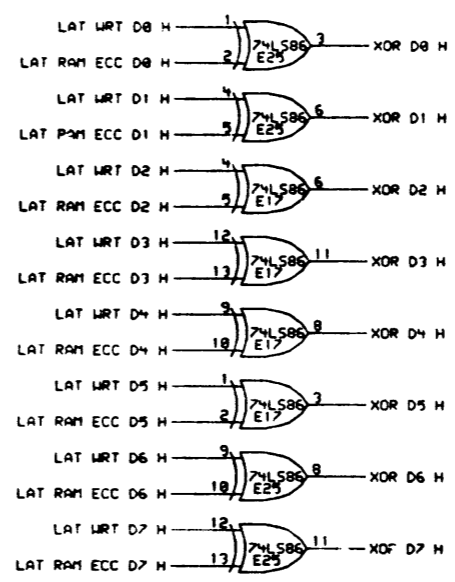
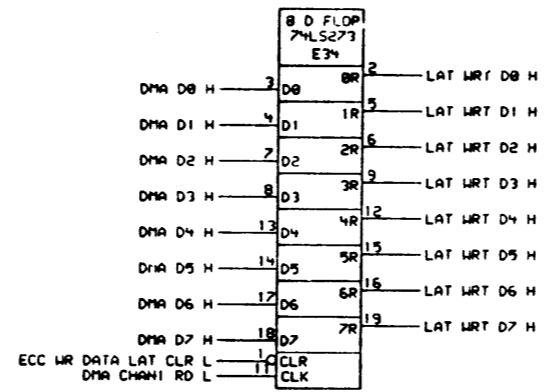
REVISIONS		
CHK	CHANGE NO.	REV

digital DSK:PRF3.DRW FIRST USED ON OPTION MODEL:	DATE: 02-SEP-86 13:09 CHECK'D:	ENG. DATE: 02-SEP-86 BOARD LOCATION:	DATE: 02-SEP-86 SHEET 3 OF 10	TITLE: TZK50
	SIZE: K CS NUMBER: 5417639	REV: A1	NEXT HIGHER ASSEMBLY: TK502-AE	

REV. A1
 NUMBER 5417639
 SIZE K CS
 REV. A1



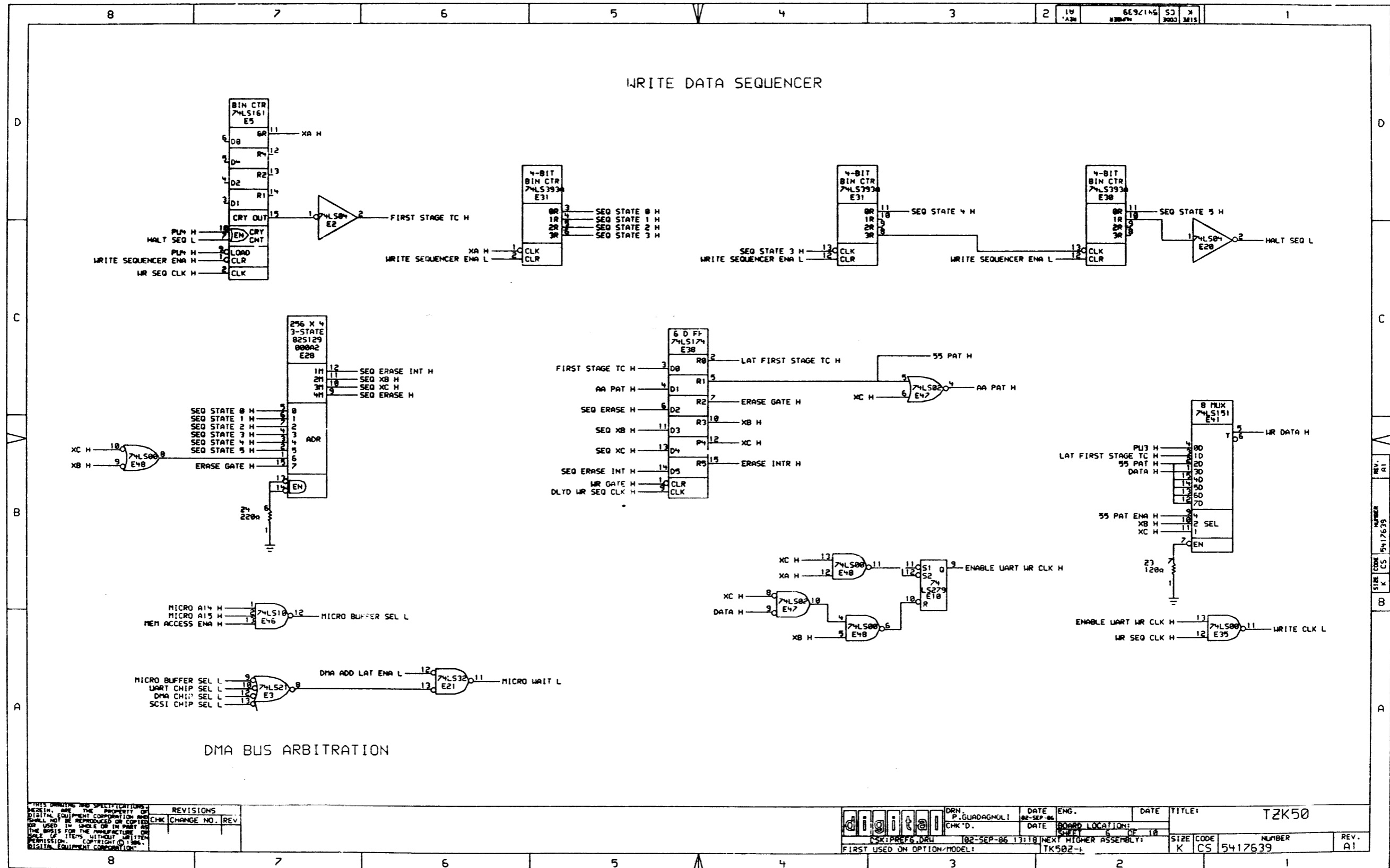
ECC GENERATOR



THIS DRAWING AND SPECIFICATIONS ARE THE PROPERTY OF DIGITAL EQUIPMENT CORPORATION AND SHALL NOT BE REPRODUCED OR COPIED OR USED IN WHOLE OR IN PART AS THE BASIS FOR THE MANUFACTURE OR SALE OF ITEMS WITHOUT WRITTEN PERMISSION. COPYRIGHT © 1986 - DIGITAL EQUIPMENT CORPORATION.

REVISIONS		
CHK	CHANGE NO.	REV

digital	DRN	DATE	ENG.	DATE	TITLE:	TZK50
	CHK'D.	DATE	BOARD LOCATION:	SHEET	OF 10	
DSK:PREP5.DM4		02-SEP-86 13:12	NEXT HIGHER ASSEMBLY:		SIZE	CODE
FIRST USED ON OPTION/MODEL:		TK50: 7A	K	CS	5417639	NUMBER
						REV.
						A1

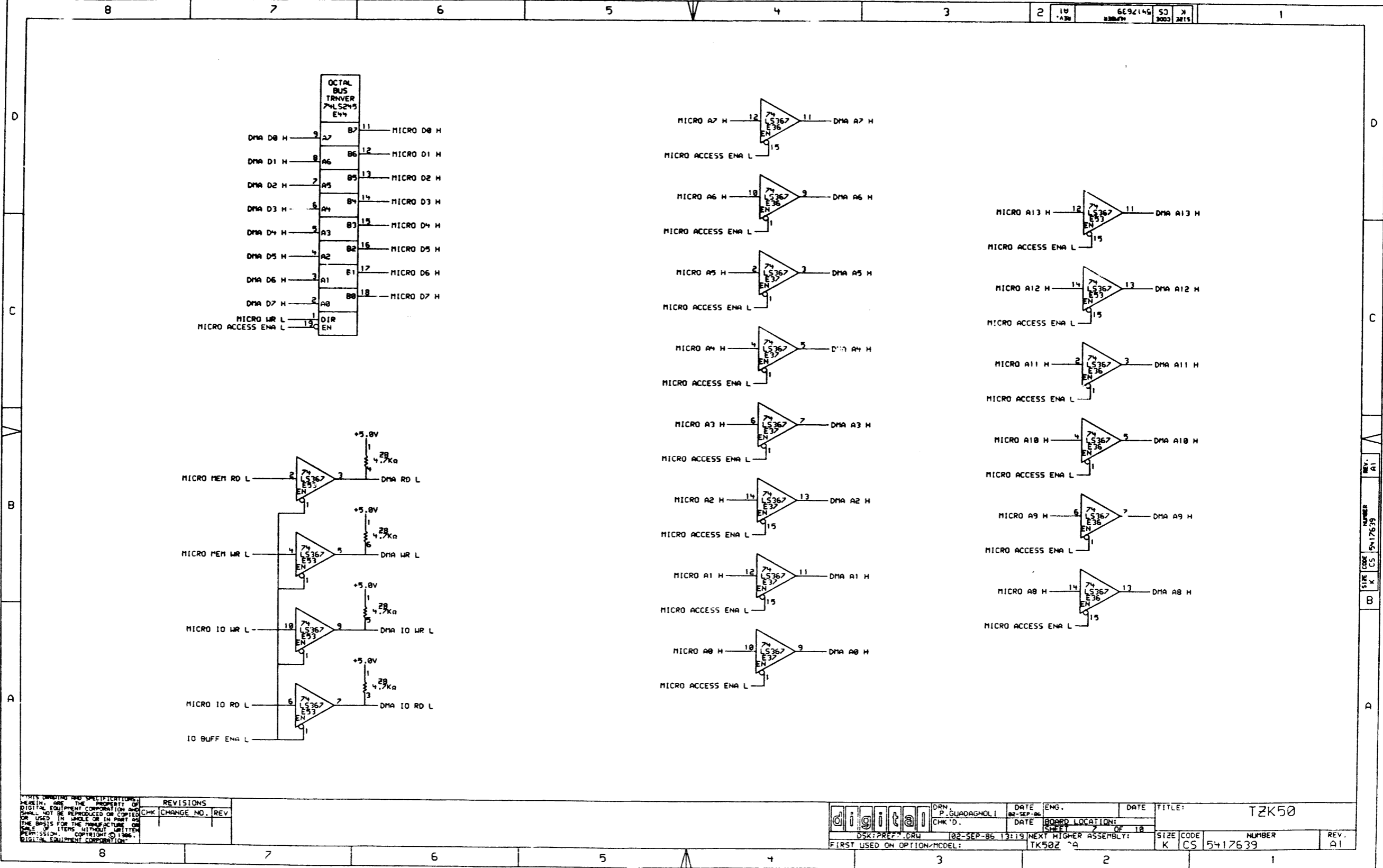


THIS DRAWING AND SPECIFICATIONS HEREIN ARE THE PROPERTY OF DIGITAL EQUIPMENT CORPORATION AND SHALL NOT BE REPRODUCED OR COPIED OR USED IN WHOLE OR IN PART AS THE BASIS FOR THE MANUFACTURE OR SALE OF ITEMS WITHOUT WRITTEN PERMISSION. COPYRIGHT © 1984, DIGITAL EQUIPMENT CORPORATION.

REVISIONS		
CHK	CHANGE NO.	REV.

	DRN. P. GUADAGNOLI	DATE 02-SEP-86	ENG.	DATE	TITLE: TZK50
	CHK'D.	DATE	BOARD LOCATION: SHEET 5 OF 18		
	02-SEP-86 13:18	NEXT HIGHER ASSEMBLY: TK502-1	SIZE CODE K CS	NUMBER 5417639	REV. A1
FIRST USED ON OPTION/MODEL:					

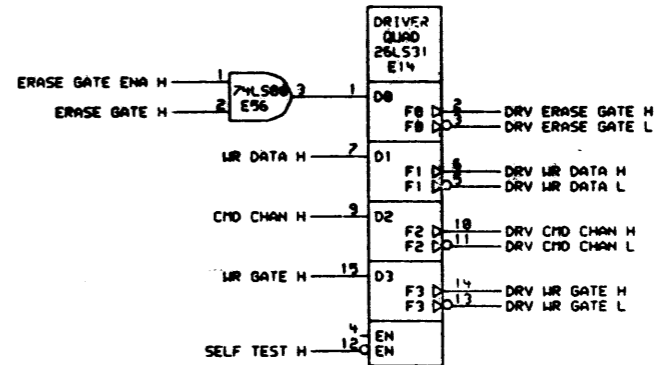
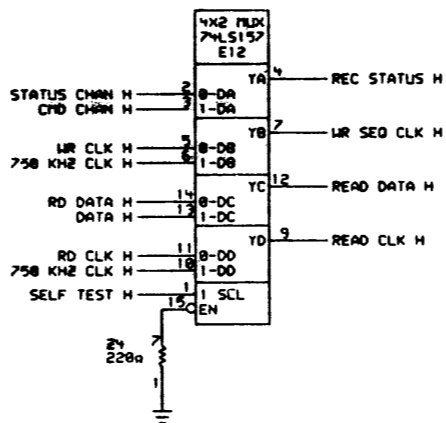
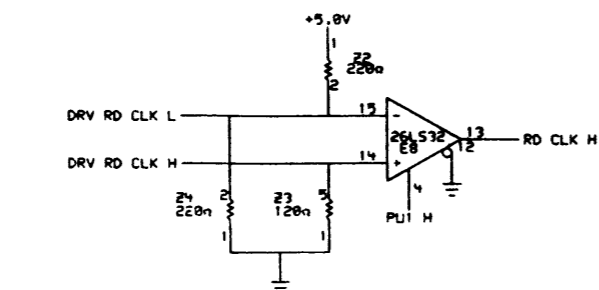
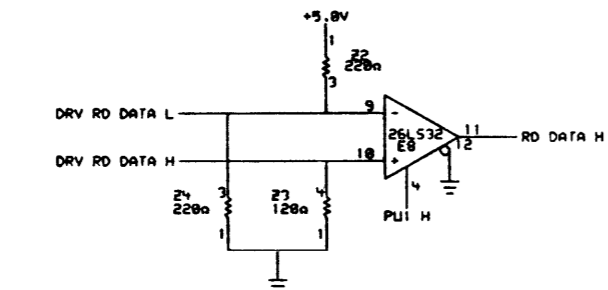
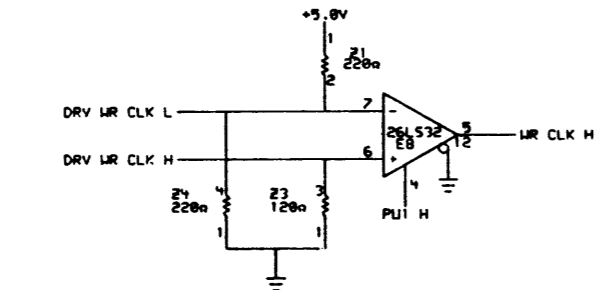
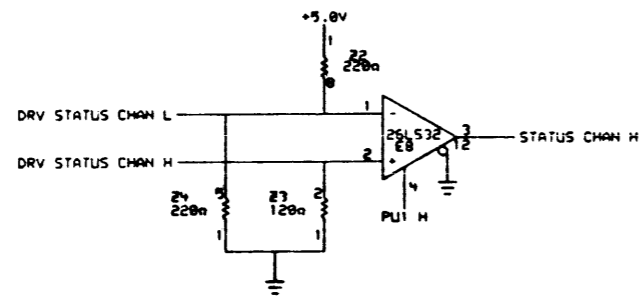
REV. A1
NUMBER 5417639
SIZE CODE K CS



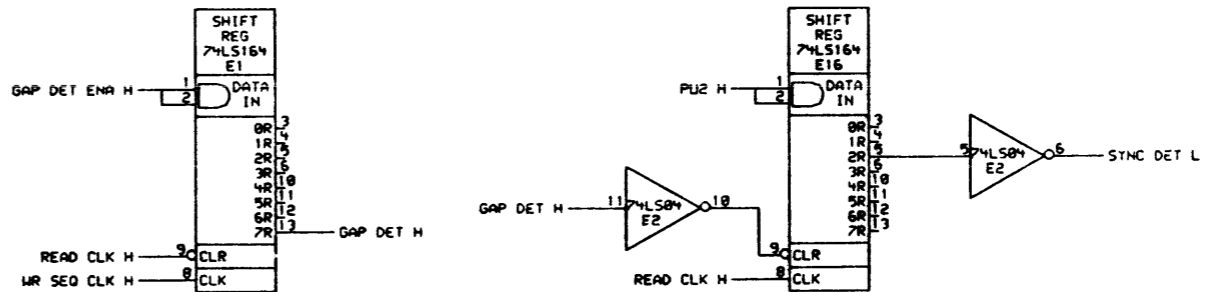
ALL DIMENSIONS AND SPECIFICATIONS
HEREIN ARE THE PROPERTY OF
DIGITAL EQUIPMENT CORPORATION AND
SHALL NOT BE REPRODUCED OR COPIED
OR USED IN WHOLE OR IN PART AS
THE BASIS FOR THE MANUFACTURE OR
SALE OF ITEMS WITHOUT WRITTEN
PERMISSION. COPYRIGHT © 1986
DIGITAL EQUIPMENT CORPORATION

REVISIONS		
CHK	CHANGE NO.	REV

digital	DRN	P. GUADAGNOLI	DATE	02-SEP-86	ENG.		DATE		TITLE:	TZK50	
	CHK'D.		DATE		BOARD LOCATION:		SHEET	7 OF 18	SIZE	CODE	
DSK:PRF.DRW		02-SEP-86 13:19		NEXT HIGHER ASSEMBLY:		TK50Z 0A		SIZE	CODE	NUMBER	REV.
FIRST USED ON OPTION/MODEL:								K	CS	5417639	A1

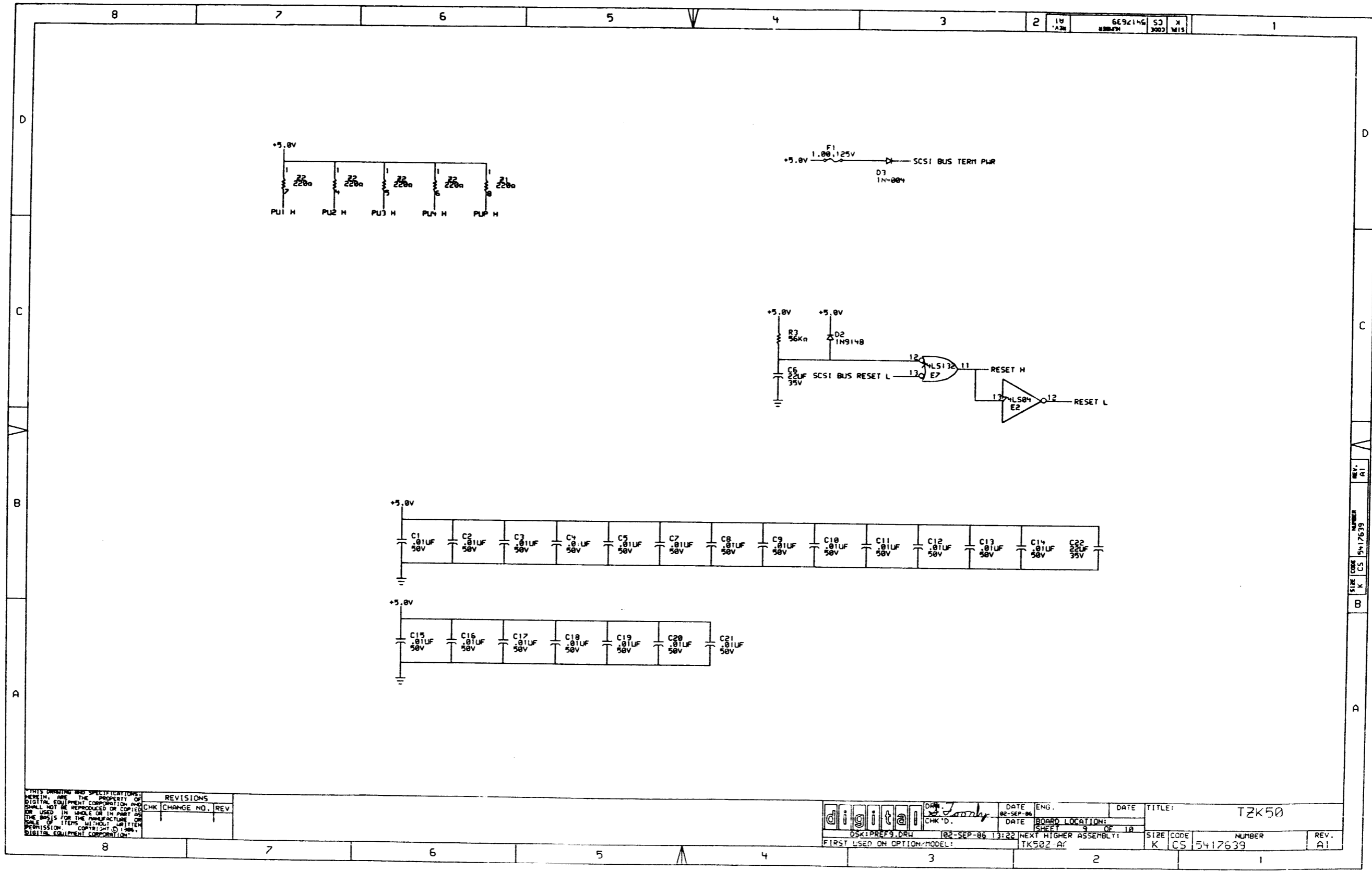


SYNC/GAP DETECTORS



THIS DRAWING AND SPECIFICATIONS ARE THE PROPERTY OF DIGITAL EQUIPMENT CORPORATION AND SHALL NOT BE REPRODUCED OR COPIED IN ANY MANNER OR IN ANY PART OR FOR ANY PURPOSE WITHOUT WRITTEN PERMISSION OF DIGITAL EQUIPMENT CORPORATION.

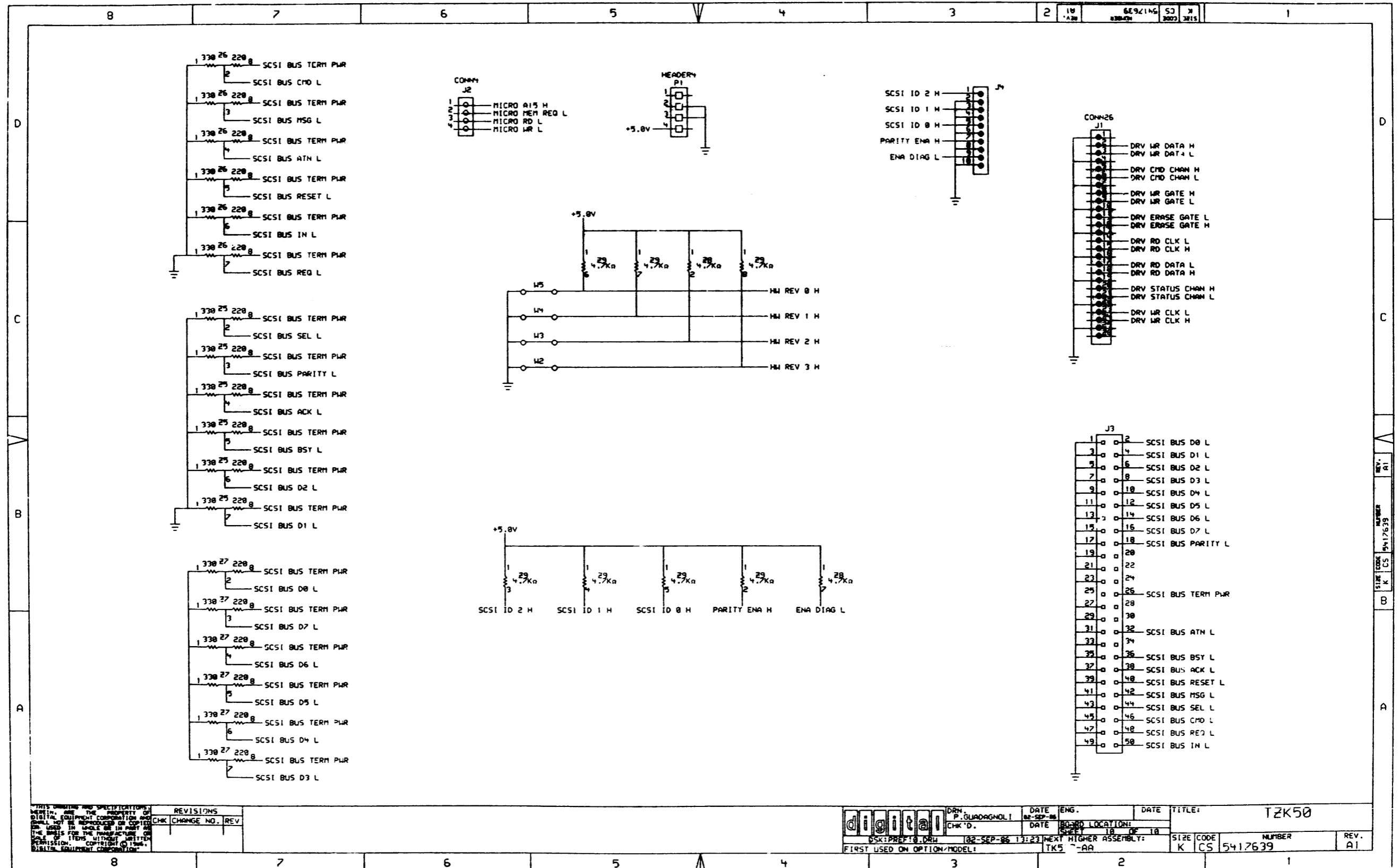
REVISIONS		
CHK	CHANGE NO.	REV



THIS DRAWING AND SPECIFICATIONS, HEREIN, ARE THE PROPERTY OF DIGITAL EQUIPMENT CORPORATION AND SHALL NOT BE REPRODUCED OR COPIED OR USED IN WHOLE OR IN PART AS THE BASIS FOR THE MANUFACTURE OR SALE OF ITEMS WITHOUT WRITTEN PERMISSION. COPYRIGHT © 1986, DIGITAL EQUIPMENT CORPORATION.

REVISIONS		
CHK	CHANGE NO.	REV

digital	DRG	DATE	ENG.	DATE	TITLE:	TZK50
	CHK'D.	82-SEP-86	J. J. J.		BOARD LOCATION:	
DSK: PREF9.DRW			02-SEP-86	1322	NEXT HIGHER ASSEMBLY:	
FIRST USED ON OPTION MODEL:			TK502-A1		SIZE	CODE
					K	CS
					NUMBER	REV.
					5417639	A1



THIS DRAWING AND SPECIFICATIONS ARE THE PROPERTY OF DIGITAL EQUIPMENT CORPORATION AND SHALL NOT BE REPRODUCED OR COPIED IN ANY MANNER OR USED IN THE MANUFACTURE OF ANY EQUIPMENT WITHOUT WRITTEN PERMISSION. COPYRIGHT © 1985, DIGITAL EQUIPMENT CORPORATION.

REVISIONS		
CHK	CHANGE NO.	REV

digital	DRN. P. GUADAGNOLI	DATE 02-SEP-85	ENG.	DATE	TITLE: TZK50
	CHK'D.	DATE	BOARD LOCATION:	SHEET 10 OF 10	
OSK:PREP10.DRW		02-SEP-85 13:23	NEXT HIGHER ASSEMBLY:		SIZE CODE NUMBER REV. A1
FIRST USED ON OPTION/MODEL:		TK5	-AR		5417639

LINE ITEM	TOP DOCUMENT	PART NUMBER	MIN REV	DESCRIPTION	QUANTITY PER VARIATION/REVISION								
					01 A1	02 A1	03 A1	04 A1	05 A1	06 A1	07 A1	08 A1	
1	1 A-PS-1700198-0-0	17-00198-07		PWR CORD,TERM 3-19 250V	1	-	-	-	-	-	-	-	-
2	2 A-PS-1700199-0-0	17-00199-12		PWR CORD,TERM 3- .75MM 250V	-	1	-	-	-	-	-	-	-
3	3 A-PS-1700310-0-0	17-00310-05		PWR CORD,TERM 3- .75MM 250V	-	-	1	-	-	-	-	-	-
4	4 A-PS-1700456-0-0	17-00456-08		PWR CORD,TERM 3- .75MM 250V	-	-	-	1	-	-	-	-	-
5	5 A-PS-1700209-0-0	17-00209-08		PWR CORD,TERM 3- .75MM 5A 250V	-	-	-	-	1	-	-	-	-
6	6 A-PS-1700457-0-0	17-00457-08		PWR CORD,TERM 3- .75MM 250V	-	-	-	-	-	1	-	-	-
7	7 K-PL-1700364-0-0	17-00364-08		PWR CORD,TERM 3- .75MM 250V 2	-	-	-	-	-	-	1	-	-
8	8 A-PS-1700210-0-0	17-00210-05		PWR CORD,TERM 3- .75MM 250V 6A 2	-	-	-	-	-	-	-	1	-

- 1 GEN: 1. VARIATION -01 WILL BE USED IN THE FOLLOWING COUNTRIES: AUSTRALIA, NEW ZEALAND
- 2 GEN: 2. VARIATION -02 WILL BE USED IN THE FOLLOWING COUNTRIES: AUSTRIA, BELGIUM, BRAZIL, FINLAND, FRANCE, GERMANY, HOLLAND,
- 3 GEN: 2A. NORWAY, PORTUGAL, SPAIN & SWEDEN
- 4 GEN: 3. VARIATION -03 WILL BE USED IN THE FOLLOWING COUNTRIES: DENMARK
- 5 GEN: 4. VARIATION -04 WILL BE USED IN THE FOLLOWING COUNTRIES: INDIA, SOUTH AFRICA
- 6 GEN: 5. VARIATION -05 WILL BE USED IN THE FOLLOWING COUNTRIES: IRELAND, UNITED KINGDOM
- 7 GEN: 6. VARIATION -06 WILL BE USED IN THE FOLLOWING COUNTRIES: ISRAEL
- 8 GEN: 7. VARIATION -07 WILL BE USED IN THE FOLLOWING COUNTRIES: ITALY
- 9 GEN: 8. VARIATION -08 WILL BE USED IN THE FOLLOWING COUNTRIES: SWITZERLAND
- 10 GEN: 9. OPTION # FOR 1700198-07 = BN19H-2E
- 11 GEN: 10. OPTION # FOR 1700199-12 = BN19C-2E
- 12 GEN: 11. OPTION # FOR 1700310-05 = BN19K-2E
- 13 GEN: 12. OPTION # FOR 1700456-08 = BN19S-2E
- 14 GEN: 13. OPTION # FOR 1700209-08 = BN19A-2E
- 15 GEN: 14. OPTION # FOR 1700457-08 = BN19U-2E
- 16 GEN: 15. OPTION # FOR 1700364-08 = BN19M-2E
- 17 GEN: 16. OPTION # FOR 1700210-05 = BN19E-2E

REVISION HISTORY			KPL MATRIX FORMAT		SECTION A OF A		DRN: PAUL GAGNE		DIGITAL			
ENG:	ECO NUMBER	REV	SECTION/VARIATION INDEX		DATE: 03-JUN-86		TITLE PARTS LIST					
---	INITIAL	A	[A] 01,02,03,04,05,06,07,08		CHK'D: D. HEALY		INTERNATIONAL POWER CORDS					
			[B]		DATE: 25-FEB-87		DOCUMENT NUMBER					
			[C]		DES.ENG: L. KIZINA		SIZE!CODE! NUMBER! REV					
			[D]		DATE: 25-FEB-87		K! PL! 7023990-0-DBP! A					
			[E]		RESP.ENG.: G. LORD		RELEASE DATE: 25-FEB-87					
			[F]		DATE: 25-FEB-87		RELEASE STATUS: RELEASED					
			[G]		MFG.ENG: F. OSOWSKI							
			[H]		DATE: 25-FEB-87							
			[I]									
			[J]									
			BASIC PART NUMBER:		ASSEMBLY NUMBER:		TOP DOCUMENT NUMBER:		FILE NAME:		EDIT #	
			!7023990				!K-PL-7023990-0-DBP		!MLA0345A.PLS		! 6	

"THIS DRAWING AND THE SPECIFICATIONS CONTAINED HEREIN ARE CONFIDENTIAL AND PROPRIETARY. THEY ARE THE PROPERTY OF DIGITAL EQUIPMENT CORPORATION AND SHALL NOT BE REPRODUCED OR COPIED OR USED IN WHOLE OR IN PART AS THE BASIS FOR THE MANUFACTURE OR SALE OF ITEMS WITHOUT WRITTEN PERMISSION. THIS IS AN UNPUBLISHED WORK PROTECTED UNDER THE FEDERAL COPYRIGHT LAWS."

